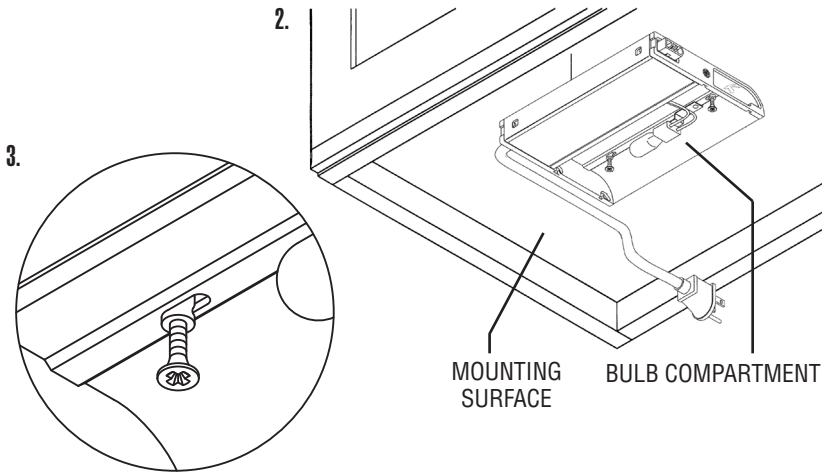


SAFETY INSTRUCTIONS READ THIS FIRST KEEP THESE INSTRUCTIONS

This fixture is intended for installation in accordance with the National Electric Code (NEC) and local code specifications. Failure to adhere to these codes and instructions may result in serious injury and/or property damage and will void the warranty. If you have any doubts concerning installation, contact a qualified licensed electrician.

1. Determine desired location for mounting fixture. When doing this keep in mind distance from fixture to receptacle and that mounting surface should be a minimum of 1/2" thick.
2. Position fixture against mounting surface with bulb compartment towards back.
3. Drive pre-installed screws into mounting surface until fixture is secure. If screws are difficult to install, remove screws and bushings, mark holes, and drill 1/16" maximum pilot holes.

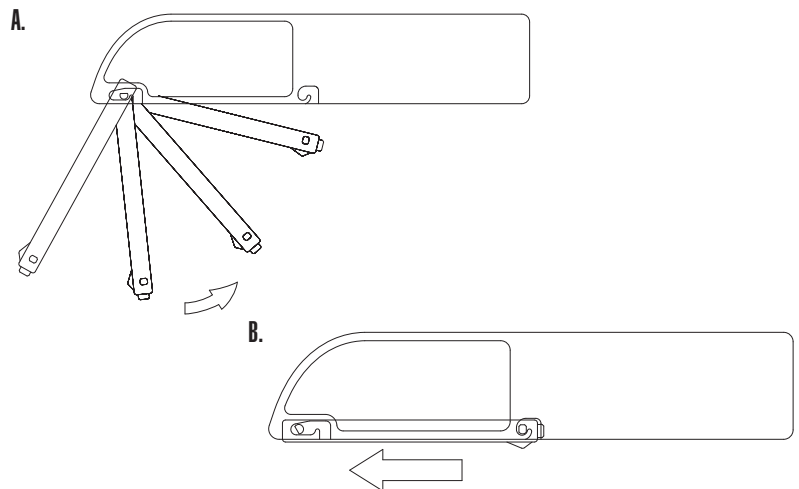


4. Opening Diffuser:

- Turn off fixture and allow to cool.
- Place finger tip on tab of each diffuser end cap.
- Lift and slide diffuser at tabs.
- Lower that edge of diffuser

Closing Diffuser:

- A. Swing edge of diffuser with tabs up toward fixture until pegs by tabs slip into slots in middle of fixture end caps.
- B. Slide tabs forward allowing pegs to seat in slots.



5. Plug fixture into receptacle.
6. Hold cord to mounting surface and determine location for cord retaining clip(s).
7. Peel backing off retaining clip(s) and affix to desired location(s). **NOTE:** Surface should be as clean as possible.
8. Slip cord into retaining clip(s) and snap closed.
9. If only one fixture is being used, assemble connector cover over connector at opposite end of fixture.
10. If more fixtures will be used, maximum number of lamps per run cannot exceed 30 lamps.

