

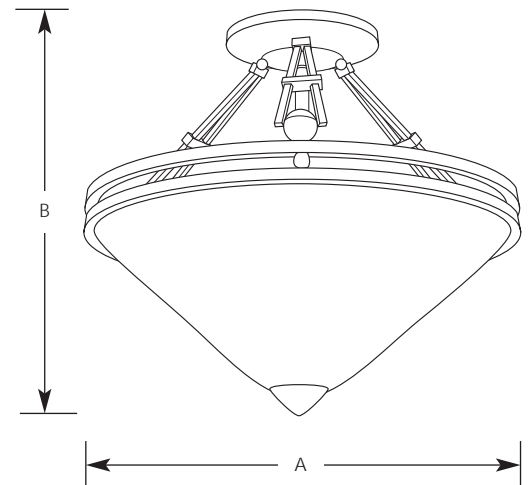
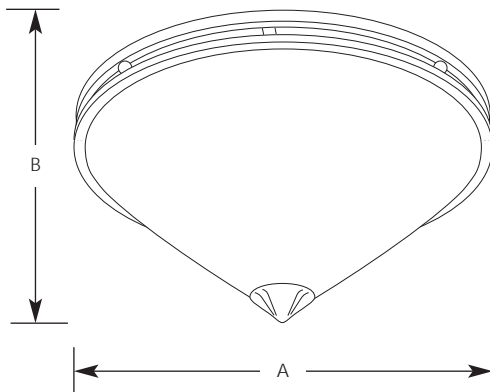
Type _____

-09

P3419

P3420

Catalog No.	Finish	Lamping	Dimensions (Inches)	
	Forged Bronze		A	B
P3419	-09	2 (m) 60w	14-1/2	7
P3420	-09	2 (m) 75w	15-1/8	13-1/8



Specifications:

General

- Etched white opal glass conical bowls
- P3419 is a flush mounted unit
- P3420 is semi-flush mounted with double rod suspension of the bowl mounted in double rings
- Steel construction
- Plated brushed nickel finish
- Companion wall bracket, chandeliers, hall & foyer and mini-pendant units

Mounting

- Wall mounted
- Ceiling mounted
- Canopy or fixture pan covers a standard recessed 4" octagonal outlet box
- Mounting strap for outlet box included

Electrical

- Ceramic medium based sockets
- Pre-wired

Labeling

- UL-CUL listed