

# Assembly Instruction Sheet #IS-CKMT1469T For Style CKMT1469T

Quoizel, Inc.  
 6 Corporate Parkway  
 Goose Creek, SC  
 29445

Customer Service  
 Phone 631.273.2700  
 Fax 631.231.7102  
 www. quoizel. com

**Tools Required:** None

**Bulb Recommended:** (1) Medium Base 150W 3-Way Maximum

**Estimated Assembly Time:** 15-20 minutes

**Preparation:** Identify and inspect all parts before beginning installation. Check package content list and diagrams below to be sure all parts are present. If any parts are missing or damaged, do not attempt to assemble, install, or operate the fixture. Contact customer service for replacement parts.

## Warnings and Cautions

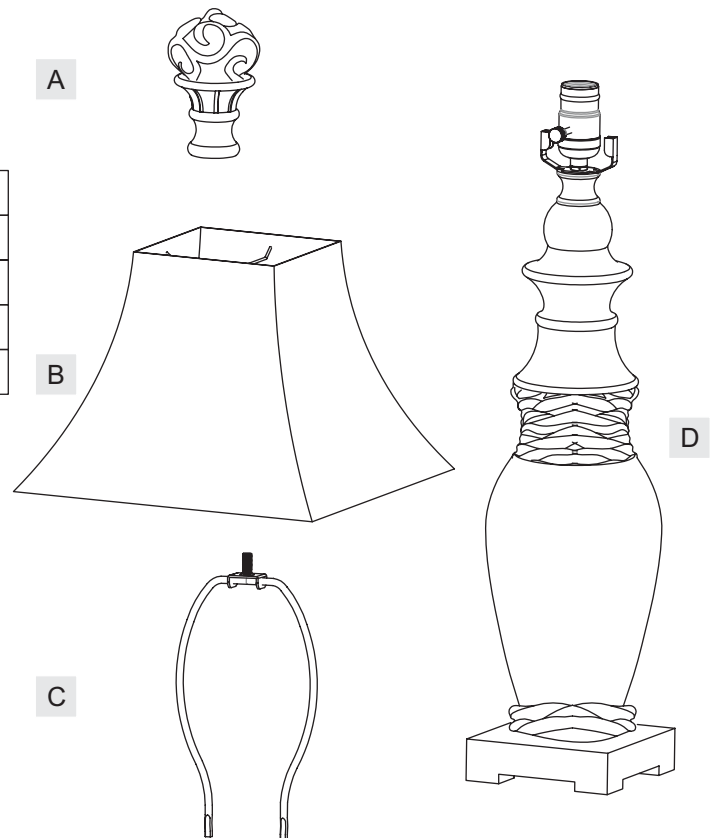
Turn off electricity at circuit breaker or main fuse box before installation. Consult a licensed electrician if in doubt.

These instructions are provided for your safety. It is very important you read them completely before installing the fixture. We strongly recommend that a licensed, professional electrician perform the installation.

Disconnect fixture from power source before replacing bulbs. Make sure bulbs are given sufficient time to cool before removal. Do not subject glass parts to any shock while in operation or shattering may result.

## Package Contents

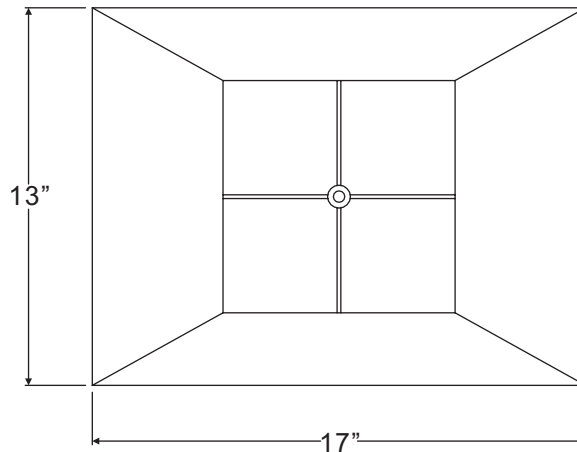
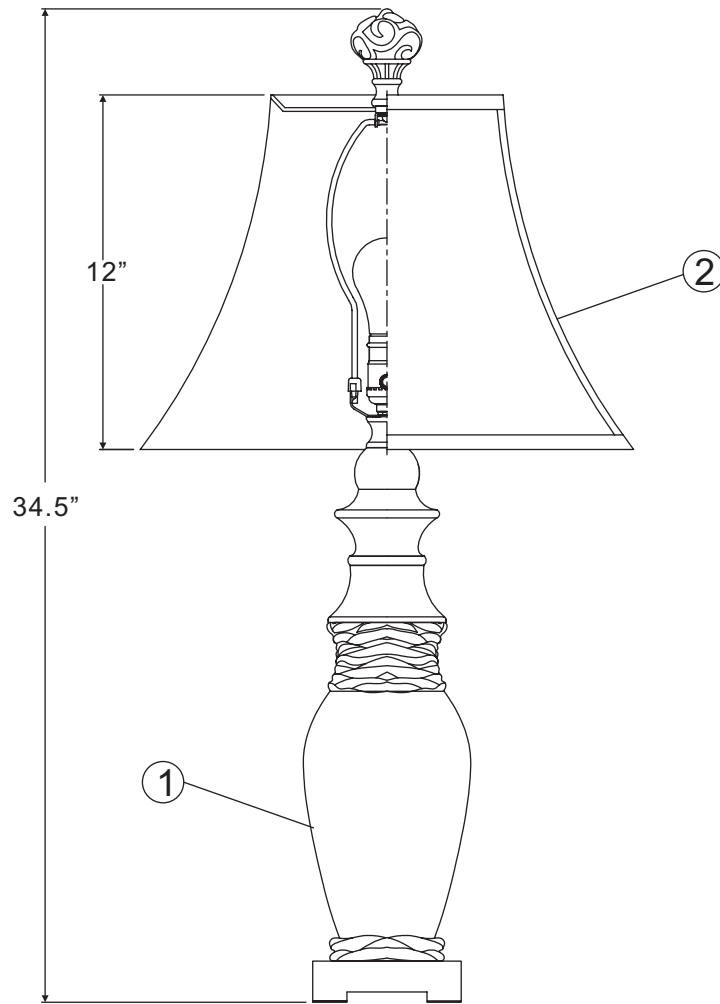
| Part | Description  | Quantity |
|------|--------------|----------|
| A    | Finial       | 1 pc.    |
| B    | Shade        | 1 pc.    |
| C    | Harp         | 1 pc.    |
| D    | Fixture Body | 1 pc.    |



**Thank you for purchasing a Quoizel product.**

**Need assistance with parts or assembly? Call Quoizel customer service at 1-631-273-2700  
 or visit us on-line at [www. quoizel. com](http://www. quoizel. com)**

CKMT1469T



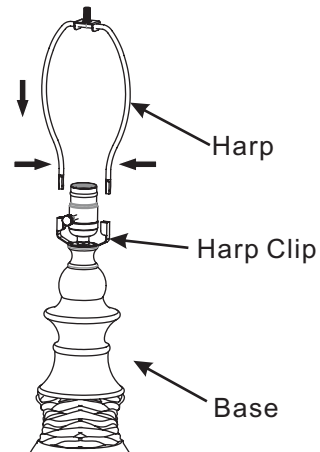
(1)150W Medium Base (3-Way) Bulb (Not Supplied)

NOTE: ALL DIMENSIONS ARE ROUNDED UP TO THE NEAREST 1/2"

| NO. | PART NUMBER | REPLACEMENT PART DESCRIPTION        | REQ. |
|-----|-------------|-------------------------------------|------|
| 1   | 11469TCKMT  | BASE FOR CKMT1469T                  | 1    |
| 2   | S1425TN     | TAN FABRIC SHADE (8/8)x(13/17)x13"H | 1    |

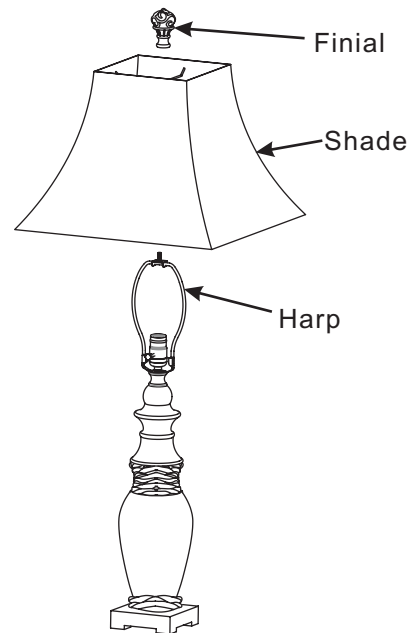
**STEP 1 – Install Harp**

- A. Locate the Harp (C) by pressing the ends of the Harp (C) into the Harp Clips on the top of Base (D).



**STEP 2 – Assemble Shade**

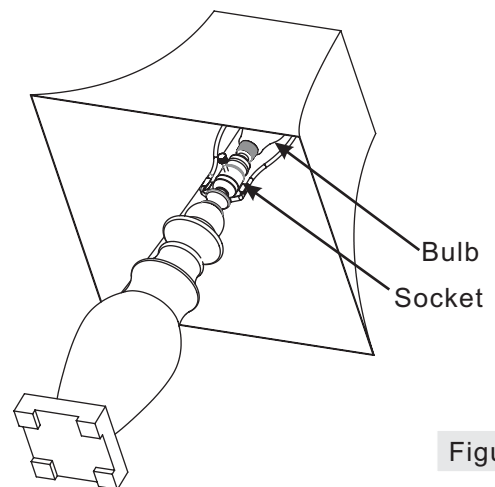
- A. Place Shade (B) over the top end of the Harp (C). Secure by thread the Finial (A) onto the Harp (C). Hand tighten until snug.



**STEP 3 – Install Bulb**

- A. This fixture uses standard bulbs (3-Way) with medium screw bases. Maximum 150 watts.  
B. Insert bulb and screw snugly into place.

Your fixture is now assembled and ready to use.  
Enjoy!



**Thank you for purchasing a Quoizel product.  
Need assistance with parts or assembly? Call Quoizel customer service at 1-631-273-2700  
or visit us on-line at [www. quozel. com](http://www. quozel. com)**