

**Q U O I Z E L**  
6 CORPORATE PARKWAY  
GOOSE CREEK, SC. 29445  
www. quozel. com

Quozel, Inc.  
6 Corporate Parkway  
Goose Creek, SC  
29445

Customer Service  
Phone 631.273.2700  
Fax 631.231.7102  
www. quozel. com

## Assembly Instruction Sheet #IS-IG5005BN For Style IG5005BN

**Tools Required:** Flathead screwdriver, Phillips screwdriver, pliers, wire cutters, wire strippers, electrical tape, safety glasses.

**Bulb Recommended:** (5) Medium Base 100W Maximum

**Estimated Assembly Time:** 20-30 minutes

**Preparation:** Identify and inspect all parts before beginning installation. Check package content list and diagrams below to be sure all parts are present. If any parts are missing or damaged, do not attempt to assemble, install, or operate the fixture. Contact customer service for replacement parts.



### Warnings and Cautions

Turn off electricity at circuit breaker or main fuse box before installation. Consult a licensed electrician if in doubt.

These instructions are provided for your safety. It is very important you read them completely before installing the fixture. We strongly recommend that a licensed, professional electrician perform the installation.

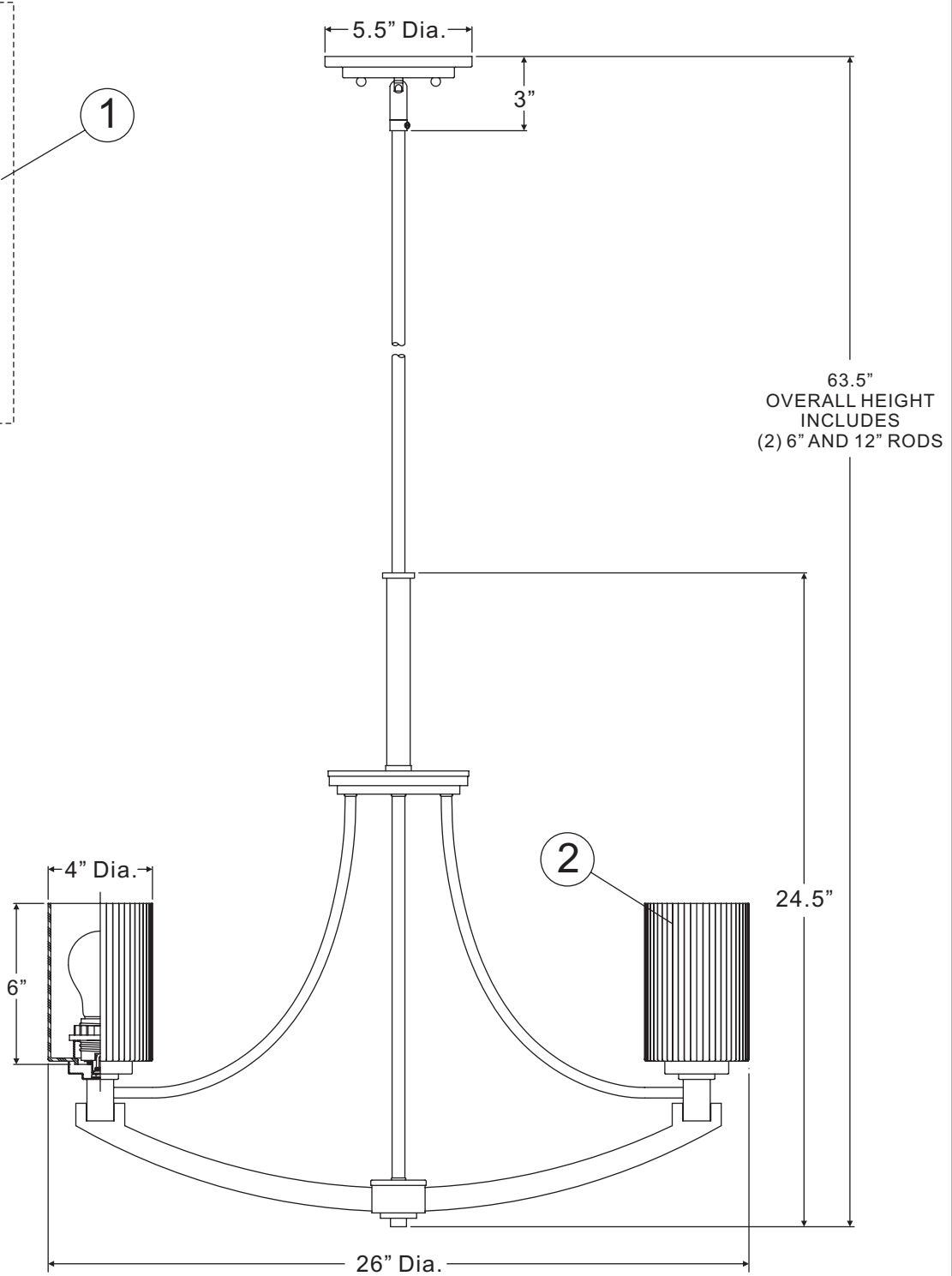
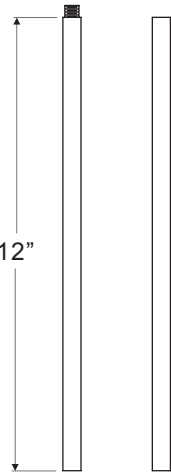
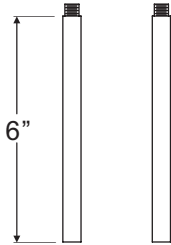
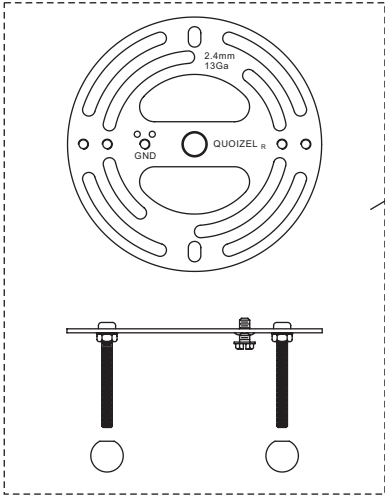
Disconnect fixture from power source before replacing bulbs. Make sure bulbs are given sufficient time to cool before removal. Do not subject glass parts to any shock while in operation or shattering may result.

Thank you for purchasing a Quozel product.

Need assistance with parts or assembly? Call Quozel customer service at 1-631-273-2700  
or visit us on-line at [www. quozel. com](http://www. quozel. com)

IG5005BN

FINISH: BRUSHED NICKEL



63.5"  
OVERALL HEIGHT  
INCLUDES  
(2) 6" AND 12" RODS



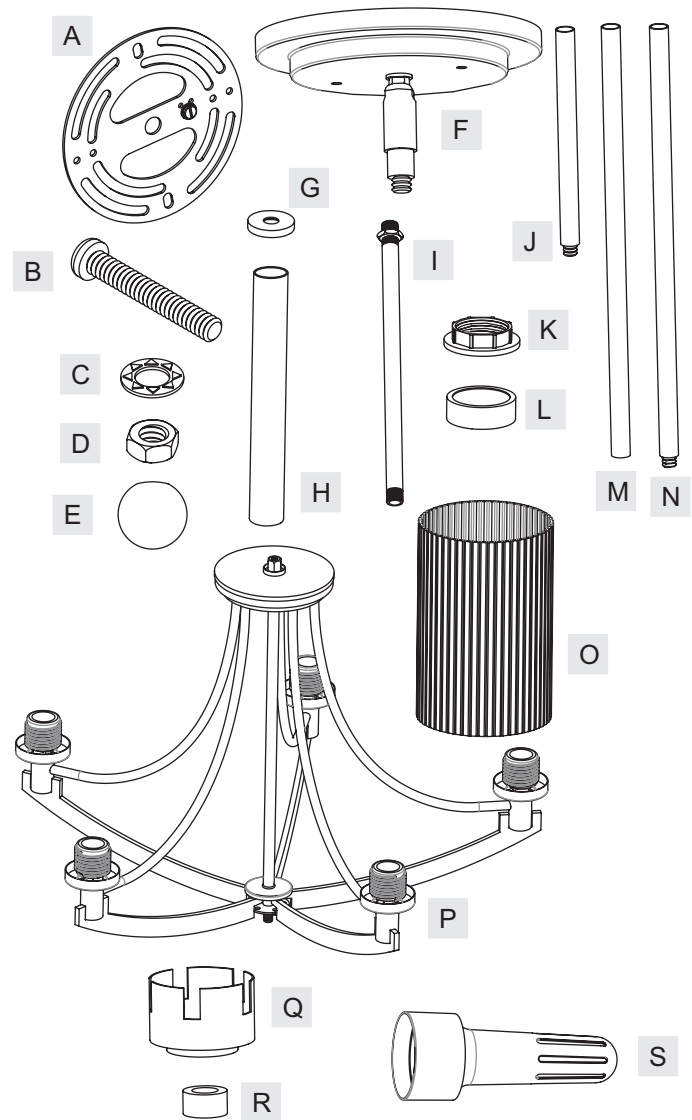
(5) 100W Medium Base Bulbs (Not Supplied)

NOTE: ALL DIMENSIONS ARE ROUNDED UP TO THE NEAREST 1/2"

NO.	PART NUMBER	REPLACEMENT PART DESCRIPTION	REQ.
1	9506KIT	MTG HDW/CNPY BRSH NIKL 5.5"D	1
2	G2926SH	SHADE RIBBED OPAL GLS 4"DX 6"H	5

**Package Contents**

Part	Description	Quantity
A	Crossbar	1 pc.
B	Mounting Screw	2 pcs.
C	Lock Washer	2 pcs.
D	Hex Nut	2 pcs.
E	Mounting Ball	2 pcs.
F	Ceiling Canopy	1 pc.
G	Cylinder Part	1 pc.
H	Tube	1 pc.
I	Stem with Hex Nut	1 pc.
J	6" Rod	2 pcs.
K	Socket Collar	5 pcs.
L	Steel Collar	5 pcs.
M	12" Rod	1 pc.
N	12" Rod with Nipple	1 pc.
O	Shade	5 pcs.
P	Socket Assembly	1 pc.
Q	Cap with Gap	1 pc.
R	Finial	1 pc.
S	Socket Collar Tool	1 pc.



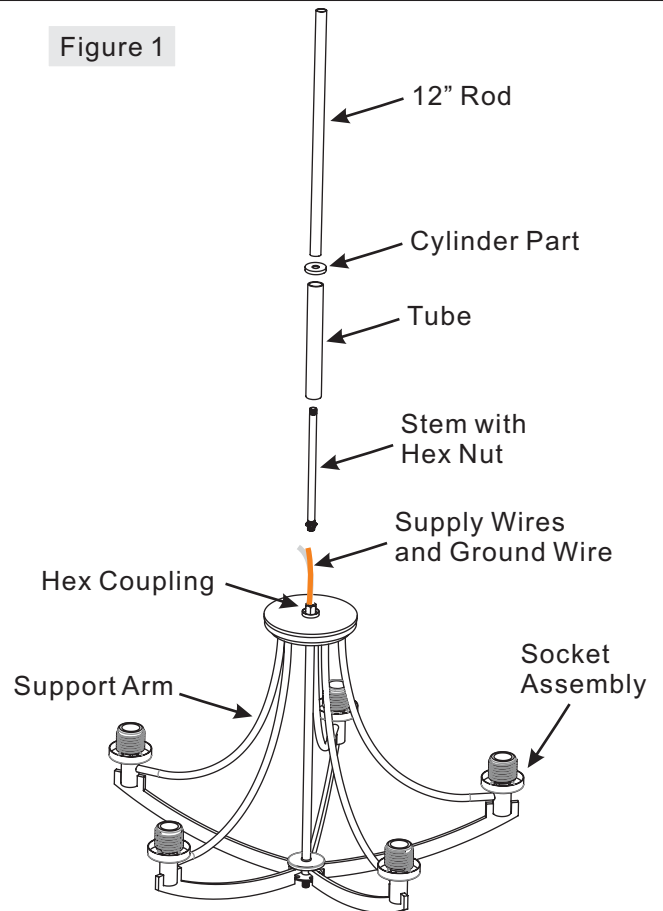
**Thank you for purchasing a Quozel product.**  
**Need assistance with parts or assembly? Call Quozel customer service at 1-631-273-2700**  
**or visit us on-line at [www. quozel. com](http://www. quozel. com)**

# Assembly Instruction Sheet #IS-IG5005BN For Style IG5005BN

## STEP 1 – Assemble Stem with Hex Nut, Tube and 12” Rod

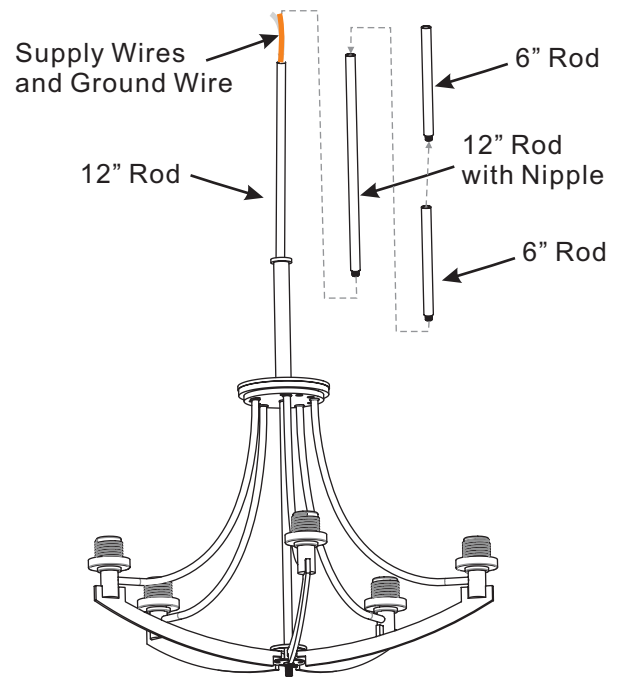
- Unfold Support Arms of the Socket Assembly (P) to proper locations as shown.
- Pass Supply Wires and Ground Wire through the Stem with Hex Nut (I), Tube (H), Cylinder Part (G) and 12” Rod (M).
- Thread the Hex Nut end of the Stem with Hex Nut (I) into the Hex Coupling on the top center of the Socket Assembly (P). By using pliers, thread the Hex Nut against the Hex Coupling and hand tighten until snug.
- Place the Tube (H) and the Cylinder Part (G) over the top end of the Stem with Hex Nut (I) and secure with the 12” Rod (M). Hand tighten until snug.

Figure 1



## STEP 2 – Assemble Rods

- Determine the Rods (J/N) to be assembled to the 12” Rod (M) according to your hanging height.
- Pass Supply Wires and Ground Wire through the chosen Rods (J/N) and then thread the chosen Rods (J/N) and the 12” Rod (M) together. Hand tighten until snug.

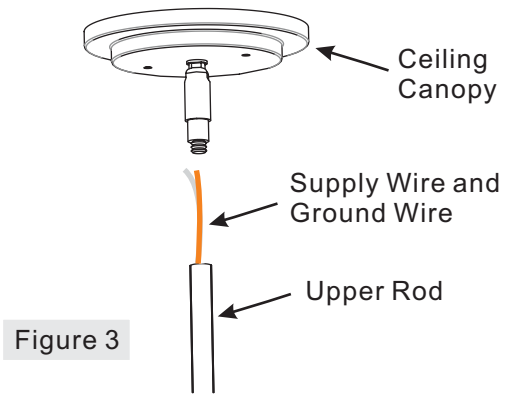


Thank you for purchasing a Quoizel product.

Need assistance with parts or assembly? Call Quoizel customer service at 1-631-273-2700  
or visit us on-line at [www. quozel. com](http://www. quozel. com)

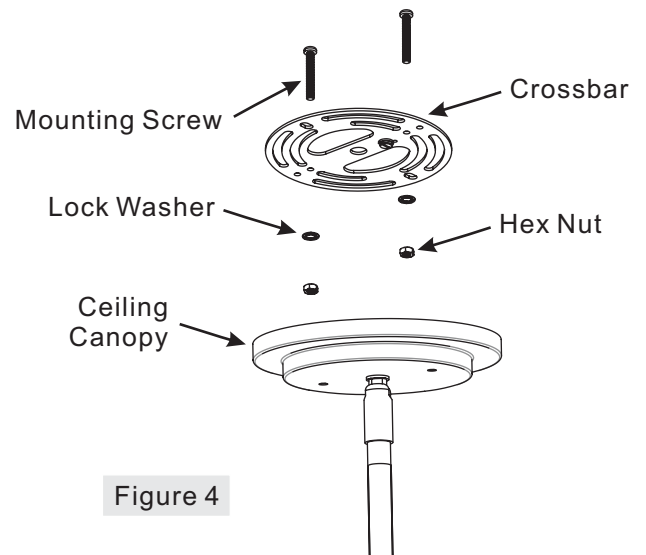
### STEP 3 – Assemble Ceiling Canopy to Upper Rod

- A. Pass Supply Wires and Ground Wire through the Ceiling Canopy (F) and then thread the Ceiling Canopy (F) and the Upper Rod together. Hand tighten until snug.



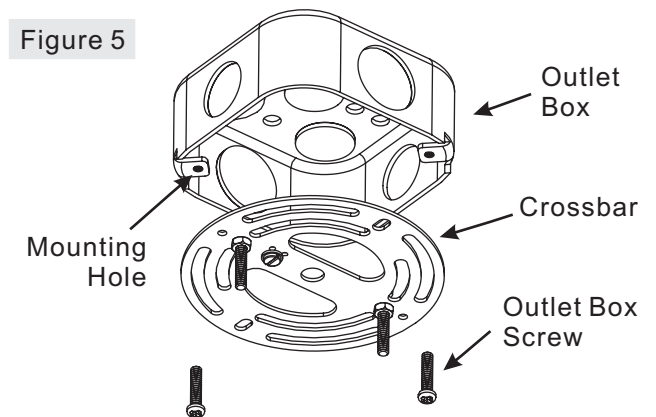
### STEP 4 – Attach Mounting Screws, Lock Washers and Hex Nuts to Crossbar

- A. Line up a set of holes on the Crossbar (A) and Holes on the Ceiling Canopy (F).  
B. Thread Mounting Screws (B) into the holes on the Crossbar (A), pass Lock Washers (C) and thread Hex Nut (D) onto the Mounting Screws (B). Hand tighten until snug.



### STEP 5 – Attach Crossbar to Outlet Box

- A. Attach the Crossbar (A) to Outlet Box and secure by threading Outlet Box Screws (not supplied) into the Mounting Holes on the Outlet Box. Tighten until snug.



Thank you for purchasing a Quozel product.  
Need assistance with parts or assembly? Call Quozel customer service at 1-631-273-2700  
or visit us on-line at [www. quozel. com](http://www. quozel. com)

### STEP 6 – Attach Lanyard

- A. The purpose of the lanyard is to provide the installer a means to support the fixture from the junction box while connecting the electrical wires. This enables the fixture to hang from the junction box and your hands are free to make the wire connections.
- B. Turn the Button Stop so it may be inserted into the crossbar slot. Make sure the Button Stop is completely inside the crossbar. Slowly release the fixture to make sure it is supported by the Button Stop. Proceed to the wiring steps. Once you are complete with the wiring there is nothing to do with Lanyard. The Lanyard will push into the junction box when the fixture is placed for final mounting.

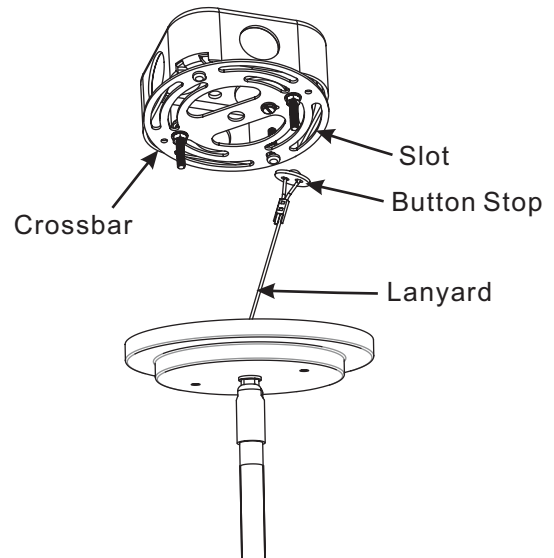


Figure 6

### STEP 7 – Make Wire Connections

- A. Use standard wire connectors to make all wire connections. (Connectors are not included with fixture.) Strip and prepare wire ends according to instructions supplied with connectors.
- B. Connect White Supply Wire from the Outlet Box to White Wire from fixture.
- C. Connect Black (or Red) Supply Wire from the Outlet Box to Black Wire from fixture.
- D. Connect Ground Wire from the Outlet Box to Ground Wire from fixture.
- E. Twist connectors until wires are tightly joined together.
- F. Wrap each connection with approved electrical tape and carefully stuff all the connected wires into the Outlet Box.

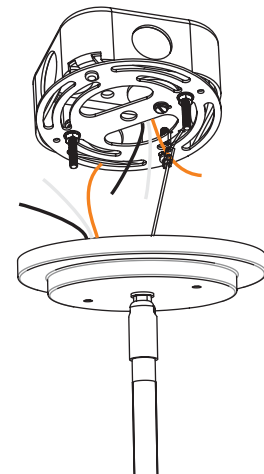


Figure 7

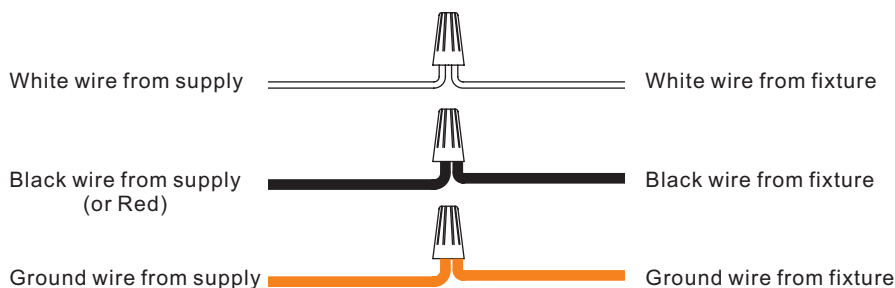
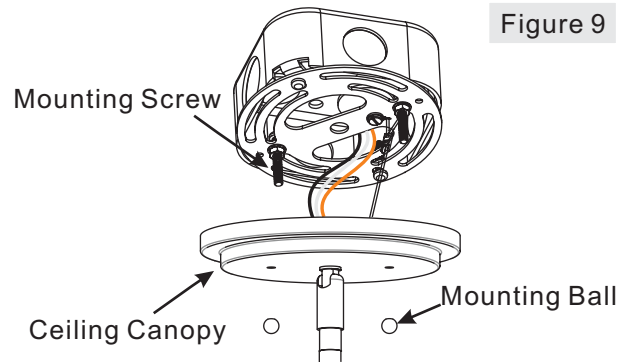


Figure 8

Thank you for purchasing a Quozel product.  
Need assistance with parts or assembly? Call Quozel customer service at 1-631-273-2700  
or visit us on-line at [www. quozel. com](http://www. quozel. com)

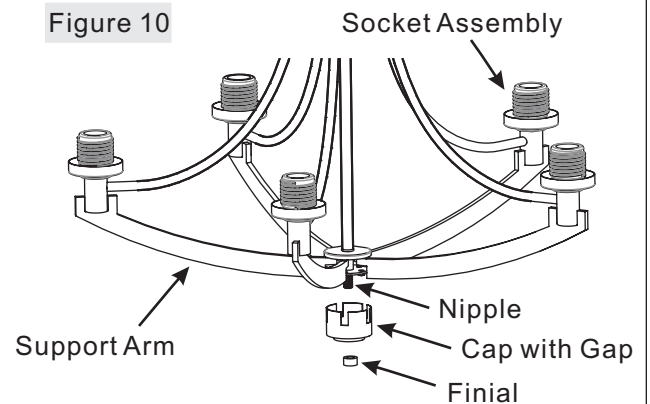
**STEP 8 – Attach Ceiling Canopy to Mounting Screw**

- A. Place the Ceiling Canopy (F) over the Mounting Screws (B) and secure with Mounting Balls (E). Hand tighten until snug.



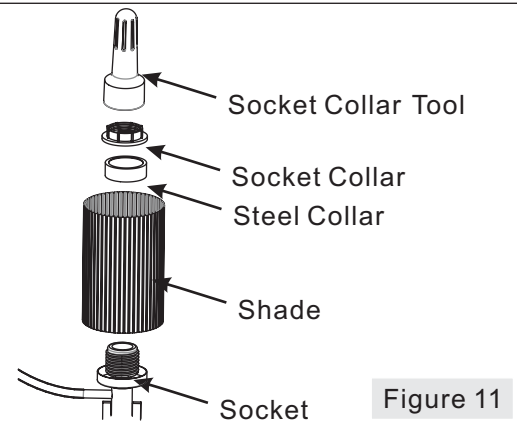
**STEP 9 – Attach Cap with Gap to Socket Assembly**

- A. Place the Cap with Gap (Q) over the Nipple on the bottom center of the Socket Assembly (P). Make sure the Gaps on the Cap catch the Support Arms. Secure by threading the Finial (R) onto the Nipple. Hand tighten until snug.



**STEP 10 – Attach Shade to Socket**

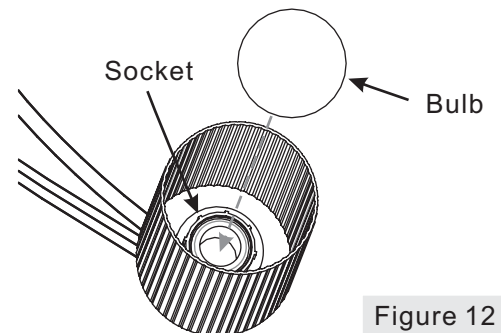
- A. Place the Shade (O) and the Steel Collar (L) over the Socket as shown. By using the Socket Collar Tool (S), thread the Socket Collar (K) onto the Socket to secure the Shade (O). Hand tighten until snug.



**STEP 11 – Install Bulb**

- A. This fixture uses standard bulb with a standard screw base. Maximum 100 watts.  
 B. Insert bulb and screw properly into place.

Your lamp chandelier fixture is now assembled and ready to use. Enjoy!



**Thank you for purchasing a Quozel product.**

**Need assistance with parts or assembly? Call Quozel customer service at 1-631-273-2700 or visit us on-line at www. quozel. com**