

# CHANDELIER FIXTURE INSTALLATION INSTRUCTIONS

Please read carefully and save these instructions, as you may need them at a later date.

## CAUTION

**WARNING:** Risk of Fire. Consult a qualified electrician to ensure correct branch circuit conductor. Min 90°C supply conductors.

Turn off the main power at the circuit breaker before installing the fixture, in order to prevent possible shock.

## GENERAL

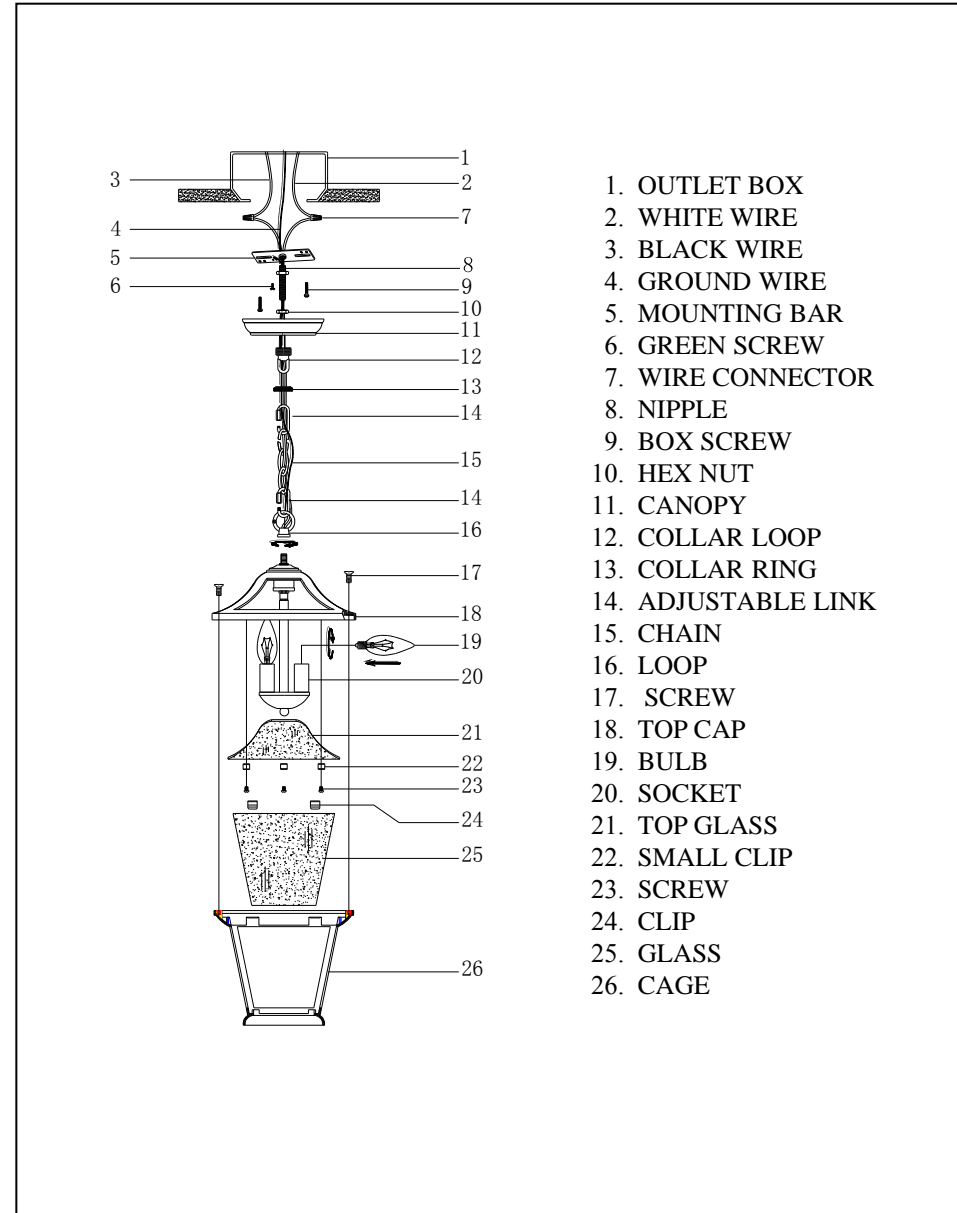
All electrical connections must be in accordance with local and National Electrical Code (N.E.C.) standards. If you are unfamiliar with proper electrical wiring connections obtain the services of a qualified electrician.

Remove the fixture and the mounting package from the box and make sure that no parts are missing by referencing the illustrations on the installation instructions.

## ASSEMBLY AND INSTALLATION

1. Screw the Nipple(8) with the Hex nut(10) to the Mounting bar(5). Attach Mounting Bar(5) to the Outlet box(1) using the Box screw(9). Screw the Collar loop(12) to the Nipple (8).
2. Link the chain (15) using the adjustable link(14) onto the fixture. Slide the Collar ring(13) and Canopy(11) through the chain link the other end of chain onto the Collar loop(12). Weave the fixture wire and ground wire through the chain to the outlet box.
3. Pull out the outlet wire and ground wire from the Outlet box(1). Make wire connections  
--Ribbed wire (w/o marking) from light to White wire(2) from power source.  
--Smooth wire (w/o marking) from light to Black wire(3) from power source.  
--Loop the Ground wire(4) to Mounting bar(5) with a Green screw(6)
4. Remove screw (17), open top cap(18).
5. Insert top glass(21) into top cap(18), then attach it with small clip(22) and screw(23).
6. Insert glass(25) into cage(26), then attach it with clip(24).
7. Install bulbs: (bulbs not included)  
(Do not exceed the maximum capacity recommended on the sockets).
8. Put the top cap (18) onto cage (26) then secure it with screw(17).

**INSTALLATION IS NOW COMPLETED**



1. OUTLET BOX
2. WHITE WIRE
3. BLACK WIRE
4. GROUND WIRE
5. MOUNTING BAR
6. GREEN SCREW
7. WIRE CONNECTOR
8. NIPPLE
9. BOX SCREW
10. HEX NUT
11. CANOPY
12. COLLAR LOOP
13. COLLAR RING
14. ADJUSTABLE LINK
15. CHAIN
16. LOOP
17. SCREW
18. TOP CAP
19. BULB
20. SOCKET
21. TOP GLASS
22. SMALL CLIP
23. SCREW
24. CLIP
25. GLASS
26. CAGE