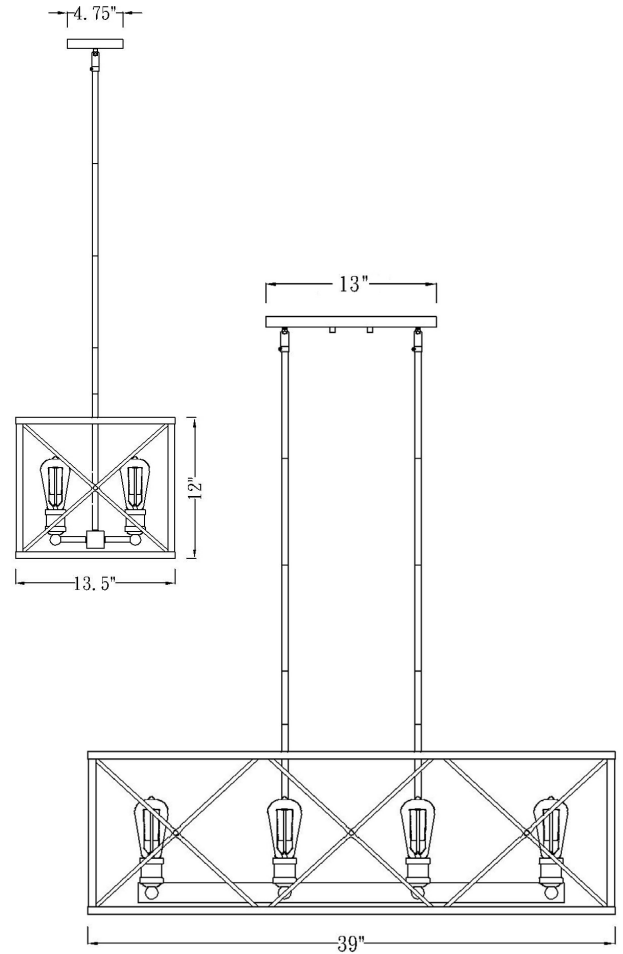


# IN21123BK

## BROOKLYN 8-LIGHT CHANDELIER



**Description:** Brooklyn 8-light chandelier

**Finish:** Matte black

**Dimensions:** 39" L x 13-1/2" W x 12" H

**Bulbs:** 8-100w medium

**Installed Weight:** 13 lbs.

**Certification:** Dry location / c UL

**Material:** Steel

**Shade:** NA

**Glass:** NA

**Canopy Dimensions:** 4-3/4" x 13"

**Stems:** 12" wire, 90" stems  
(6-12", 2-6", 2-3")

**Additional Finishes:** ORB