

access

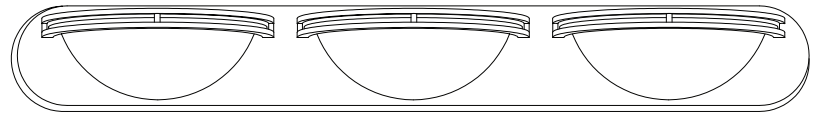
L I G H T I N G

INSTALLATION INSTRUCTIONS

IMPORTANT

Before assembling your access lighting fixture, please make sure that you carefully read through these instruction sheets. Consider having your fixture installed by a qualified licensed electrician.

NOTE: The important safeguards and instructions that appear in this manual are not meant to cover all possible conditions and situations that may occur. It must be understood that common sense, caution and care, are factors that can't be built into any product. These factors must be supplied by the person(s) caring for and operating the fixture.



GENERAL INFORMATION

All electrical connections must be in accordance with all ordinances, Local and National Electrical Codes. These fixtures are intended for mounting to a standard 4" x 2 1/2" metal octagon outlet box. The box must be directly supported by the building structure and U.L. Recognized.

STEP BY STEP INSTRUCTIONS

Before starting your installation disconnect the Power by turning off the Circuit Breaker or by removing the fuse at the fuse box. Just turning the light off at the light switch is not sufficient to prevent electrical shock.

COLLECTION

APPLICATION

Wall Fixture

MODEL NO.

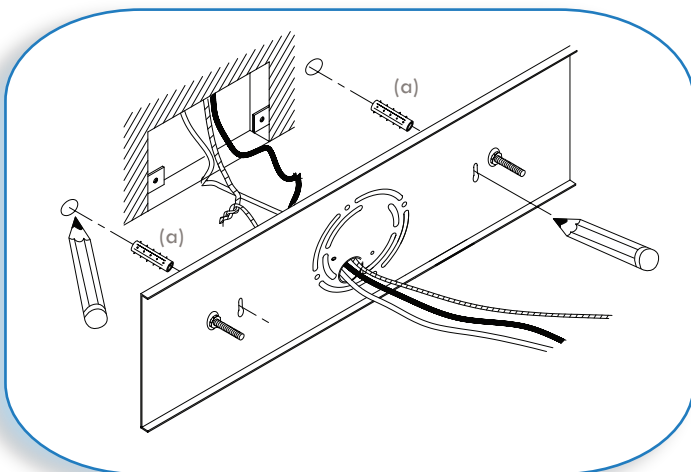
20453

WHAT WE PROVIDE

- Back Plate
- Mounting Hardware
- 1 x Front Canopy
- 1 x Back Canopy
- 3 x Glass Shade

WHAT YOU NEED

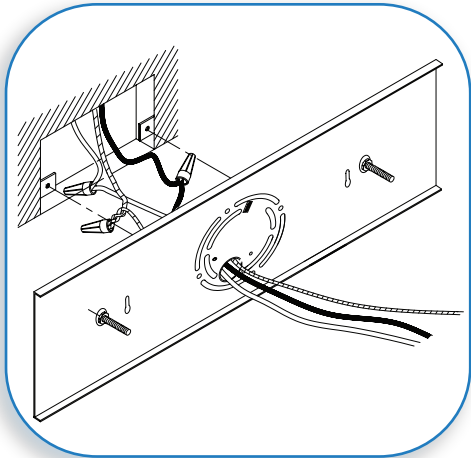
- Screwdriver
- Wire Cutters
- Wiring Supplies as Specified by Electrical Code
- 3 x 13W GU24 Bulbs



1

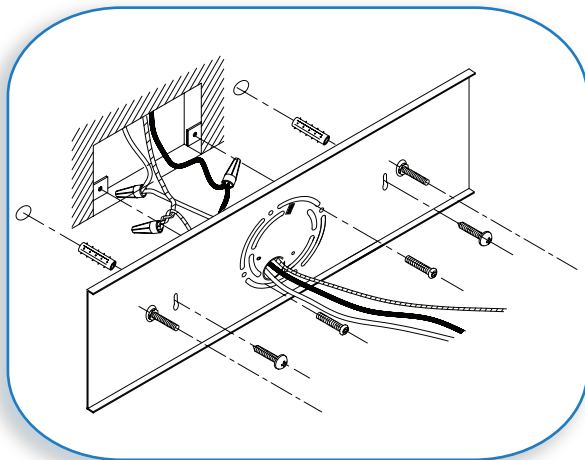
MARK BACKPLATE LOCATION

Determine the desired location of your fixture. Hold the back plate up to the surface and mark with a pencil the location of the mounting plugs (small hole on the left and right hand side of the back plate). Drill a hole and insert the mounting plugs into the mounting surface.



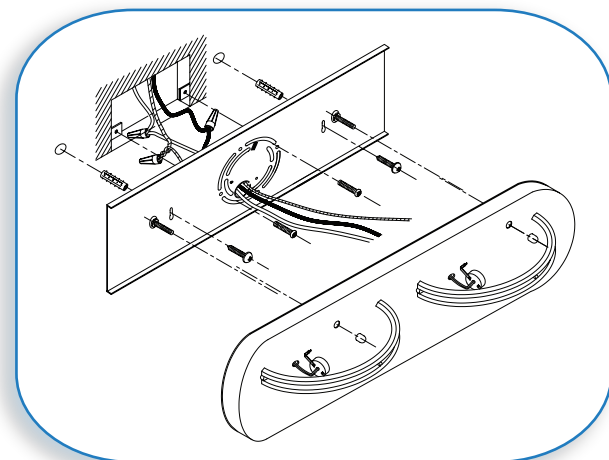
MAKE WIRE CONNECTIONS

Gently pull the supply wires out of the j-box .
 Connect the black supply wire to the black fixture wire. Secure with the supplied wire nuts. Connect the white supply wires to the white fixture wire. Secure with the supplied wire nuts. Either wrap the green wire around one of the protruding screws or connect it to the supply ground wire. Secure all wire with electrical tape (not supplied).
 Tuck all wires carefully into the J-Box.



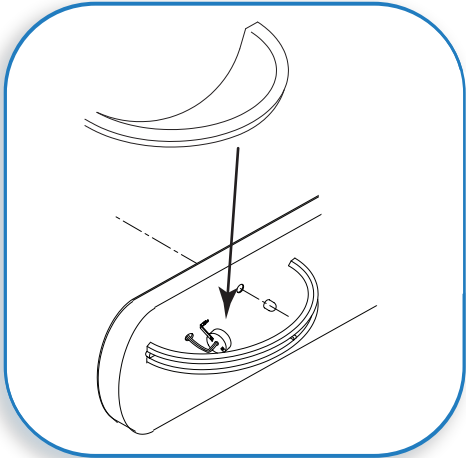
SECURE BACK PLATE

Secure the back plate to the surface by inserting the inner screws to the J-box. Now insert the next set of screws into the anchors that you have already secured in the wall or surface.



SECURE THE FRONT PLATE

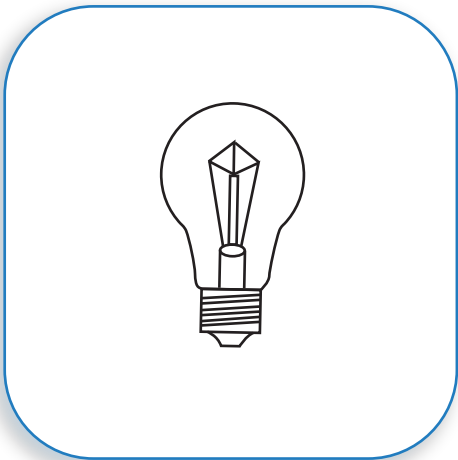
Secure the front plate to the back plate by inserting the screws in the back plate, that are facing forward, through the designated holes in the front plate. Secure with the supplied thumb screws.



5

SECURE FRONT PLATE

Secure the glass shade gently to the arm of the fixture. Repeat with the balance of the glass shades.

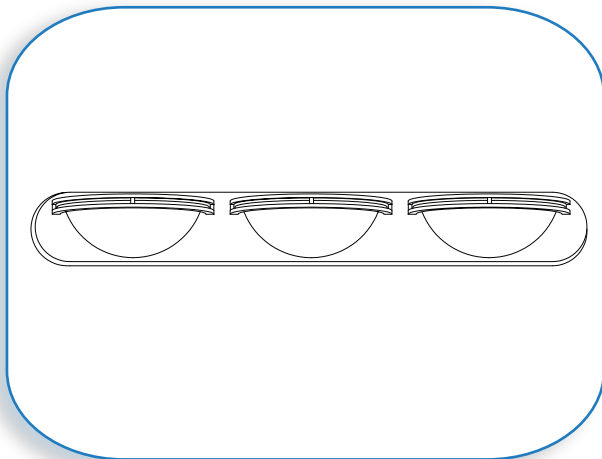


6

INSERT THE BULBS

Insert the bulbs into the sockets

DO NOT EXCEED THE RECOMMENDED WATTAGE ON THE LABEL.



7

RESTORE THE ELECTRICITY AND CHECK THE OPERATION OF YOUR NEW ACCESS FIXTURE

CAUTION

Please ensure that the fitting is cool and switched off before replacing the bulb. DO NOT use bulbs that might exceed the maximum wattage, stated on caution label.