

# access

## LIGHTING

### INSTALLATION INSTRUCTIONS

#### IMPORTANT

Before assembling your ACCESS LIGHTING fixture, please make sure that you carefully read through this instruction sheet. Save these instructions and refer to them when additions to or changes in the fixture configuration are made.

CONSULT A QUALIFIED ELECTRICIAN TO ENSURE CORRECT BRANCH CIRCUIT CONDUCTOR.

CONSULTER UN ELECTRICIEN QUALIFIE POUR VOUS ASSURER QUE LES CONDUCTEURS DE LA DERIVATION SONT ADEQUATS

THIS PRODUCT MUST BE INSTALLED IN ACCORDANCE WITH THE APPLICABLE INSTALLATION CODE BY A PERSON FAMILIAR WITH THE CONSTRUCTION AND OPERATION OF THE PRODUCT AND THE HAZARDS INVOLVED.

CE PRODUIT DOIT ETRE INSTALLE SELON LE CODE D'INSTALLATION PERTINENT, PAR UNE PERSONNE QUI CONNAIT BIEN LE PRODUIT ET SON FONCTIONNEMENT AINSI QUE LES RISQUES INHERENTS

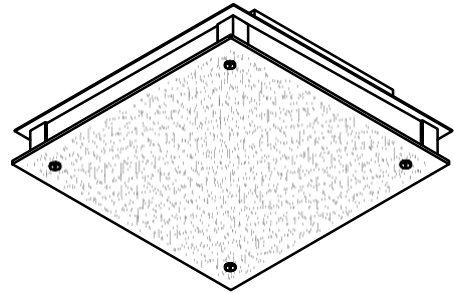
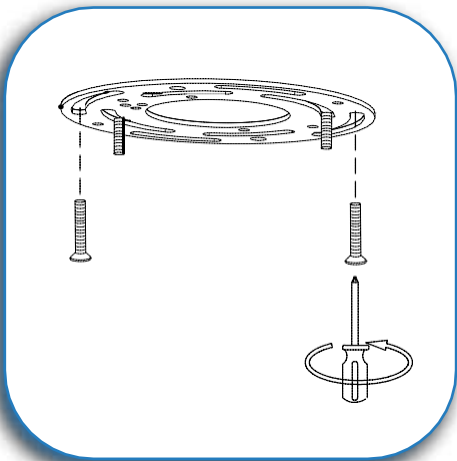
**NOTE:** The important safeguards and instructions that appear in this manual are not meant to cover all possible conditions and situations that may occur. It must be understood that common sense, caution and care, are factors that can't be built into any product. These factors must be supplied by the person(s) caring for and operating the fixture.

#### GENERAL INFORMATION

All electrical connections must be in accordance with all ordinances, Local and National Electrical Codes. These fixtures are intended for mounting to a standard 4" x 2 1/2" metal octagon outlet box. The box must be directly supported by the building structure and U.L. Recognized.

#### STEP BY STEP INSTRUCTIONS

Before starting your installation disconnect the Power by turning off the Circuit Breaker or by removing the fuse at the fuse box. Just turning the light off at the light switch is not sufficient to prevent electrical shock.



COLLECTION	APPLICATION	MODEL NO.
Vision	Ceiling	50030

#### WHAT WE PROVIDE

- Crossbar
- Mounting Hardware
- Canopy with Sockets
- 1 x Glass Shade
- 1 x R7s Base Bulb (Model dependent)

Model 50030/31: 1 x 200W  
 Model 50032: 2 x 150W  
 Model 50033/34: 1 x 150W  
 Model 50035: 2 x 150W

#### WHAT YOU NEED

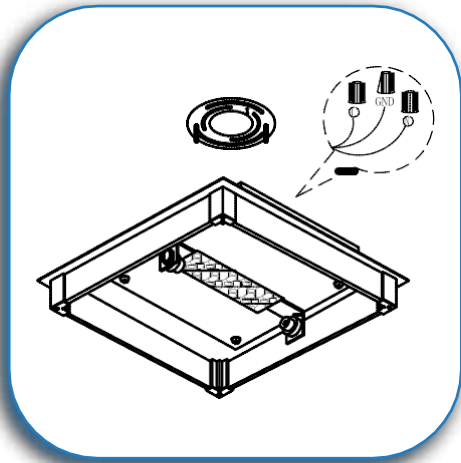
- Philips Screwdriver
- Wire Cutters
- Wiring Supplies as Specified by Electrical Code

#### PREPARE FIXTURE

If there is an existing fixture remove it.

Expose the supply wires from the outlet box.

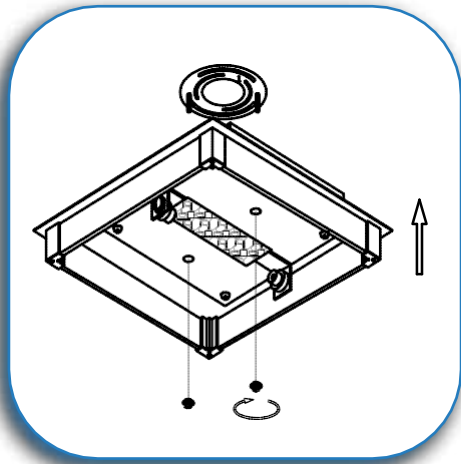
Secure the crossbar to the J-box with the supplied screws



2

**CONNECT THE WIRES**

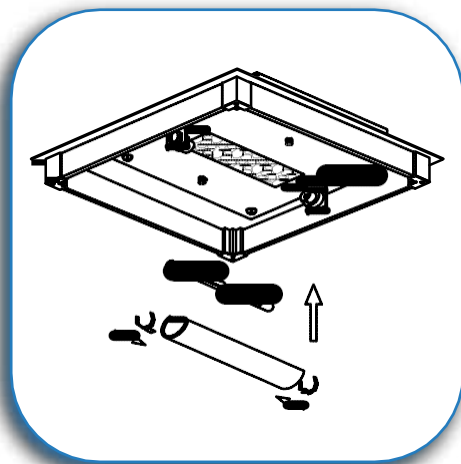
Gently pull the supply wires through the hole in the crossbar. Connect the black supply wire to the black fixture wire. Secure with the supplied wire nuts. Connect the white supply wire to the white fixture wire. Secure with the supplied wire nuts. Either wrap the green wire around one of the protruding screws or connect it to the supply ground wire. Secure all wires with U.L. Certified electrical tape (not supplied). Tuck all wires carefully into the J-box.



3

**MOUNT THE CANOPY**

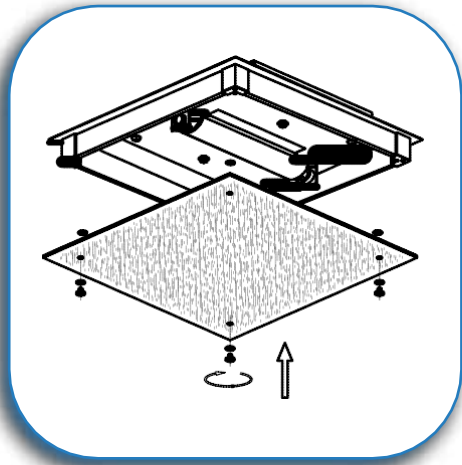
Hold the fixture canopy up to the crossbar. Align the holes in the canopy with the designated retaining screws of the crossbar. Using the supplied screw nuts secure the canopy to the crossbar.



4

**INSERT THE BULB AND BULB COVER**

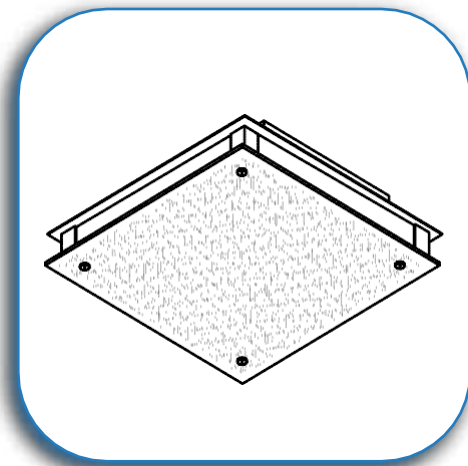
Insert the supplied bulb and bulb cover. Do not touch the Halogen bulb with bare hands. Use of a soft dry cloth is recommended. MAXIMUM WATTAGE 200W. DO NOT EXCEED THE RECOMMENDED WATTAGE AS STATED ON THE WARNING LABEL AND INSTRUCTION SHEET.



5

**SECURE GLASS SHADE**

Hold the glass shade up to the canopy and secure with the supplied screw knobs.



6

**RESTORE THE ELECTRICITY AND CHECK THE OPERATION OF YOUR NEW ACCESS LIGHTING FIXTURE**

**CAUTION**

Please ensure that the fitting is cool and switched off before replacing the bulb. DO NOT use bulbs that might exceed the maximum wattage, stated on caution label.

**IMPORTANT SAFETY INSTRUCTIONS**

- Do not install this fixture in hazardous locations.
- Do not install any fixture assembly closer than 6 inches from curtain or similar combustible material.
- WARNING: Risk and Fire and Electric Shock.

**MESURES DE SECURITE A RESPECTURE**

- ♦ N'installez pas cet appareil dans des emplacements dangereux.
- ♦ Laissez une distance d'au moins 6 pouces entre ce Luminaire et la toute surface combustible.
- ♦ CAUTION: Risque d' Incendie et de Choc Electriques.

Save these instructions and refer to them when additions to or changes in the fixture configuration are made.