

access

L I G H T I N G

INSTALLATION INSTRUCTIONS

IMPORTANT

Before assembling your access lighting fixture, please make sure that you carefully read through these instruction sheets. Consider having your fixture installed by a qualified licensed electrician.

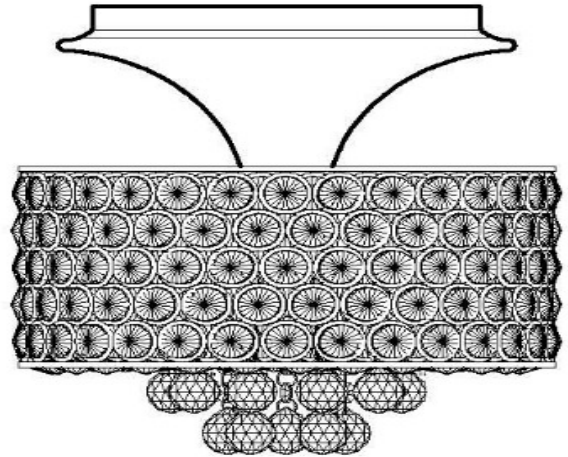
NOTE: The important safeguards and instructions that appear in this manual are not meant to cover all possible conditions and situations that may occur. It must be understood that common sense, caution and care, are factors that can't be built into any product. These factors must be supplied by the person(s) caring for and operating the fixture.

GENERAL INFORMATION

All electrical connections must be in accordance with all ordinances, Local and National Electrical Codes. These fixtures are intended for mounting to a standard 4" x 2 1/2" metal octagon outlet box. The box must be directly supported by the building structure and U.L. Recognized.

STEP BY STEP INSTRUCTIONS

Before starting your installation disconnect the Power by turning off the Circuit Breaker or by removing the fuse at the fuse box. Just turning the light off at the light switch is not sufficient to prevent electrical shock.



COLLECTION

Pizazz

APPLICATION

Semi-Flush

MODEL NO.

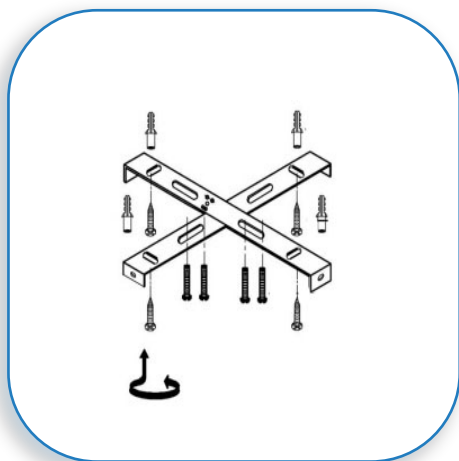
51005

WHAT WE PROVIDE

- Crossbar
- Mounting Hardware
- Canopy with Fixture
- 1 x Crystal Shade
- 1 x Bottom Glass Shade
- 3 x 40W G9

WHAT YOU NEED

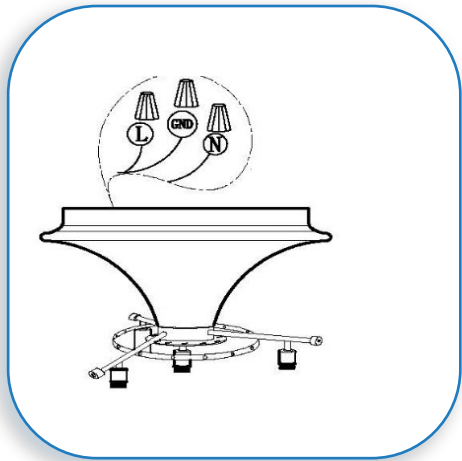
- Screwdriver
- Wire Cutters
- Wiring Supplies as Specified by Electrical Code



RELEASE THE CANOPY

1

If there is an existing fixture remove it. Expose the supply wires from the J-box. Hold the crossbar up to j-box and mark the location for the additional supports. Drill holes for the additional supports and insert the anchors. Secure the crossbar to the J-box and insert the additional screws into the anchors.

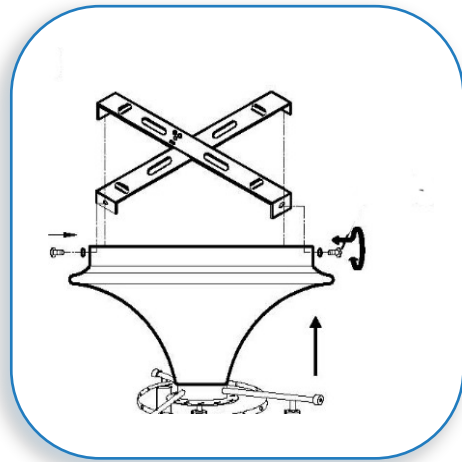


2

WIRE CONNECTION

Connect the exposed supply wires to the fixture wires. Connect the black supply wire to the black fixture wire. Secure with the supplied wire nuts. Connect the white supply wire to the white fixture wire. Secure with the supplied wire nuts. Either wrap the green wire around one of the protruding screws or connect it to the supply ground wire.

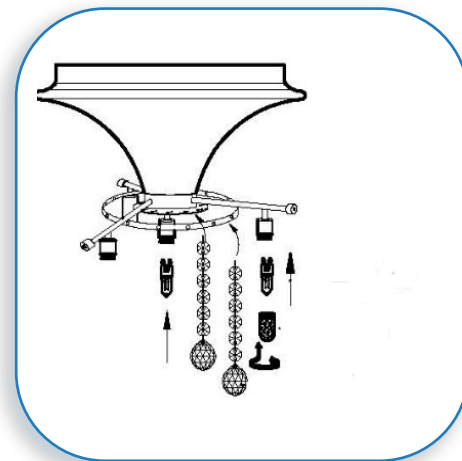
Secure all wire with U.L. certified electrical tape (not supplied). Tuck all wires into the J-box.



3

MOUNT THE CANOPY

Hold the canopy up the crossbar. Align the designated holes in the canopy with the holes in the bent portion of the crossbar. Insert the supplied screws and secure with the supplied screws.



4

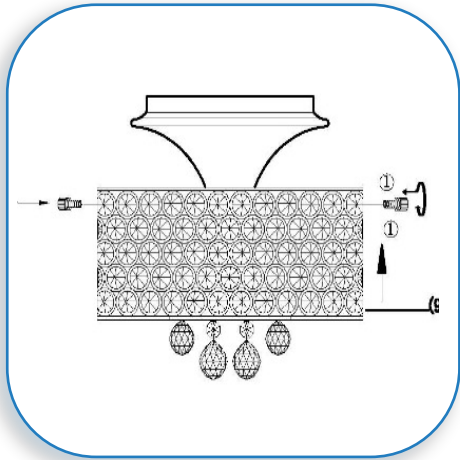
INSERT THE BULBS - SECURE CRYSTALS

Insert the bulbs, ensuring that you do not exceed the recommended wattage stated in this installation instruction and on the caution label.

MAXIMUM 40W

Secure bulb covers onto the sockets. Use the supplied cloth to handle bulbs. Secure the crystal strands onto the bar in the designated holes.

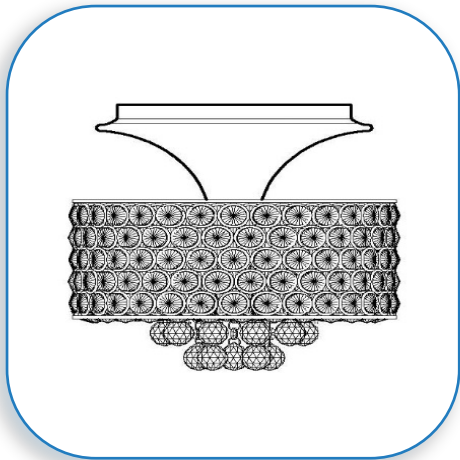
DO NOT EXCEED THE RECOMMENDED WATTAGE AS STATED ON THE WARNING LABEL. AND INSTRUCTION SHEETS.



5

SECURE THE CRYSTAL SHADE

Secure the crystal shade, align the holes in the ends of the bars with the designated holes in the crystal shade. Secure with the supplied thumb screws.



6

RESTORE THE ELECTRICITY AND CHECK THE OPERATION OF YOUR NEW ACCESS FIXTURE

CAUTION

Please ensure that the fitting is cool and switched off before replacing the bulb. DO NOT use bulbs that might exceed the maximum wattage, stated on caution label.