

INSTALLATION INSTRUCTIONS

IMPORTANT SAFEGUARDS

When using electrical equipment, basic safety precautions should always be followed including the following:

READ AND FOLLOW ALL SAFETY INSTRUCTIONS SAVE THESE INSTRUCTIONS FOR FUTURE REFERENCE

THIS PRODUCT MUST BE INSTALLED IN ACCORDANCE WITH THE APPLICABLE INSTALLATION CODE BY A PERSON FAMILIAR WITH THE CONSTRUCTION AND OPERATION OF THE PRODUCT AND THE HAZARDS INVOLVED. CE PRODUIT DOIT ETRE INSTALLE SELON LE CODE D'INSTALLATION PERTINENT. PAR UNE PERSONNE QUI CONNAIT BIEN LE PRODUIT ET SON FONCTIONNEMENT AINSI QUE LES RISQUES INHERENTS.

CONSULT A QUALIFIED ELECTRICIAN TO ENSURE CORRECT BRANCH CIRCUIT CONDUCTOR "CONSULTER UN ELECTRICIEN QUALIFIE POUR VOUS ASSURER QUE LES CONDUCTEURS DE LA DERIVATION SONT ADEQUATS".

1. **WARNING-** Risk of shock or fire- Before installation or servicing, turn the power OFF at the circuit breaker or fuse. Place tape over the circuit breaker switch and verify power is OFF at the light fixture.
2. This luminaire must be installed in accordance with the NEC or your local electrical code. Consult a qualified electrician to ensure correct branch circuit conductor before installing.
3. **WARNING:** Ground the fixture to avoid potential electric shock.
4. **WARNING:** Wear gloves when handling the fixture as edges are sharp.
5. **CAUTION:** This fixture is designed for use in a 120VAC / 60Hz fused circuit. This fixture is compatible with a TRIAC (forward-phase or leading-edge) / ELV (reverse-phase or trailing-edge) dimming circuit. Any other connection voids the warranty.
6. Do not handle energized module with wet hands or when standing on wet or damp surfaces, or in water.

FCC NOTICE

CAUTION: FCC Regulations state that any unauthorized changes or modifications to this equipment not expressly approved by the manufacturer could void the user's authorization to operate this equipment.

The device is tested and found to comply with Part 15 of the FCC Rules. Operation is subject to two conditions: (1) This device may not cause harmful interference and, (2) this device must accept any interference received, including any interference that may cause undesired operation.

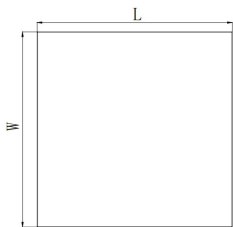
This equipment has been tested and found to comply with the limits for a Class B digital device, pursuant to Part 15 of the FCC rules. These limits are designed to provide reasonable protection against harmful interference when the equipment is operated in a commercial environment. The equipment generates, uses, and can radiate radio frequency energy and, if not installed and used in accordance with the instruction manual, may cause harmful interference to radio communications.

However, there is no guarantee that interference will not occur in a particular installation. If this equipment does cause harmful interference to radio or television reception, which can be determined by turning the equipment off and on, the user is encouraged to try to correct the interference by one or more of the following measures:

1. Reorient or relocate the receiving antenna.
2. Increase the separation between the equipment and receiver.
3. Connect the equipment into an outlet on a circuit different from that to which the receiver is connected.
4. Consult the dealer or an experienced radio/TV technician for help.

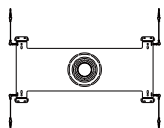
Conforms to standard CAN-ICES 005(A)/NMB-005 B

PRODUCT SIZE



Size (FT)	LxWxH
1x4	47.75"x11.93"x1.97"
2x2	23.74"x23.74"x1.97"

LIST OF SUPPLIED COMPONENTS



A - Mounting Bracket x1



B - Fixture x1



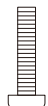
C - Wire Nuts x3



D - Plastic Anchors x4



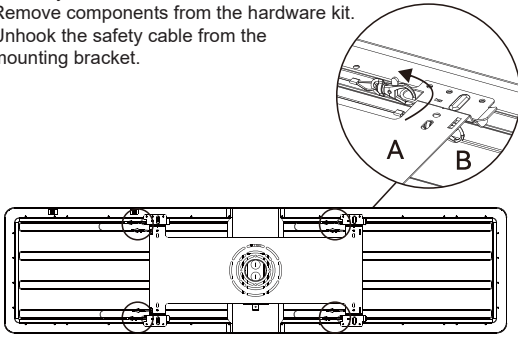
E - #8 Wood Screws x4



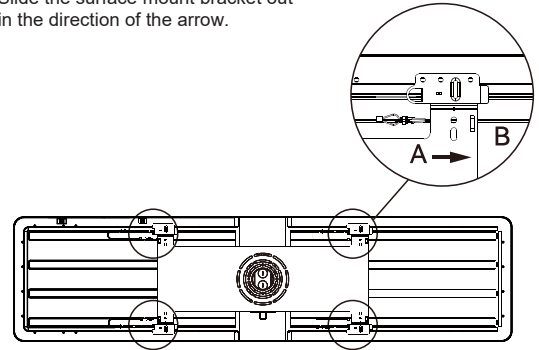
F - #8 Machine Screws x2

INSTALLATION

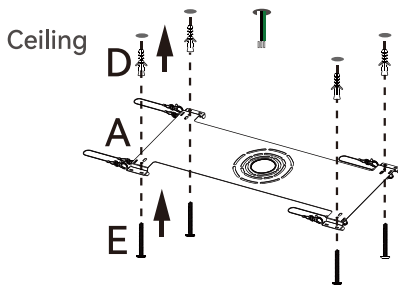
- 1** Carefully remove the fixture and hardware kit from the carton. Remove components from the hardware kit. Unhook the safety cable from the mounting bracket.



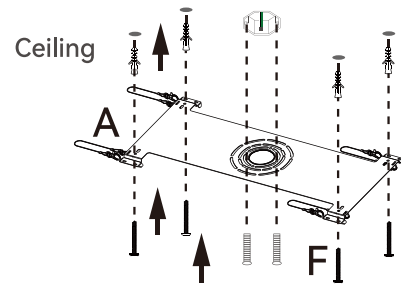
- 2** Slide the surface mount bracket out in the direction of the arrow.



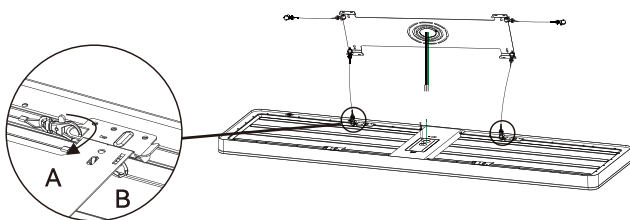
- 3-1** Secure surface mount bracket. If no junction box is present, attach mounting bracket to ceiling using plastic anchors and #8 wood screws.



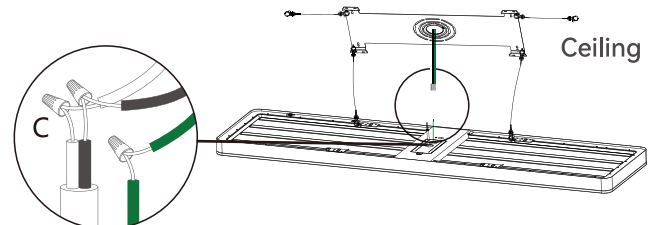
- 3-2** If there is a junction box, use screws to attach mounting bracket to existing junction box - Use with 2.1", 2.75", or 3.5" junction box.



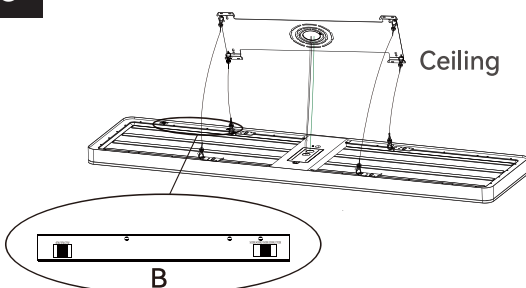
- 4** Clip safety cable from light to mounting bracket for added security.



- 5** Make all wire connections to appropriate wire. Secure with wire nuts (provided). Connect the white wire from the fixture to the white (N) wire from the supply power source. Connect the black wire from the fixture to the black (L) wire from the supply power source. Connect the green wire from the fixture to the supply power source ground wire.

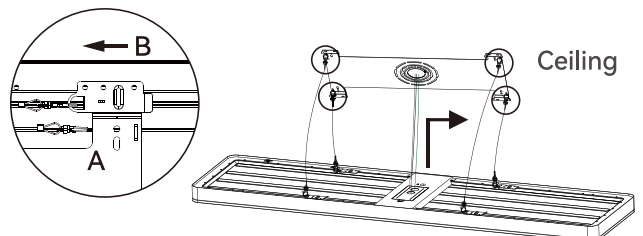


- 6** Use switches to choose CCT and brightness settings.



CCT: 2700K/3000K/3500K/4000K/5000K
Brightness setting: Low, Medium, or High.

- 7** Hold panel flush against ceiling then slide and lock into place.



Limited Factory Warranty

AFX Inc. hereby warranty that this fixture is free from defects in materials and workmanship when installed and used under normal operating conditions for a period of 5 years from date of shipment from factory. This warranty covers all component parts and extends only to replacement of defective fixture or components; it does not cover failure due to improper installation, misuse, mishandling or damage incurred in transit.