



LOCATION		DATE
PREPARED BY		QUANTITY
COMMENTS		FIXTURE TYPE
CATALOG NUMBER		

Fulton LED Sconce FTS Series

Features

This modern design provides a dramatic look and features high quality LEDs. Ideal use in hallways, entrances, restrooms and anywhere general lighting is needed. Provides lighting in residential, commercial, and hospitality applications. Fixture can be mounted vertically or horizontally to a standard junction box (not included) on a wall.

Construction

Housing and backplate are die-formed from 22-gauge steel and painted. Power supply connections must be made inside a junction box (not included).

Finish

All exposed metal is painted in white or black powder coated finish.

Diffuser

White acrylic.

Electrical

Input 120VAC / 60Hz.
Compatible with residential TRIAC and ELV dimmers.

LED

Integrated LED (DOB) module capable of producing:
15.5W = 1200 source lumens
23W = 1800 source lumens
Rated for 50,000 hrs., 90 CRI
3000K (CCT)

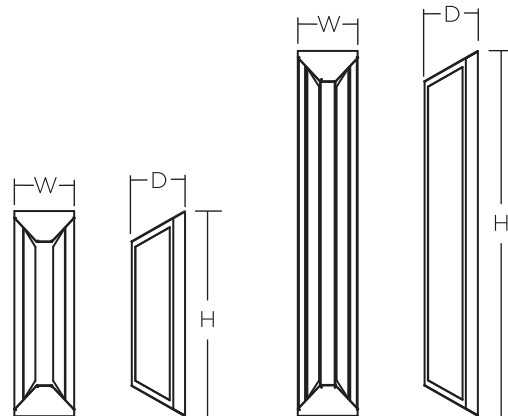
Certification

cETLus certified for indoor damp locations.
ADA

Warranty

Limited warranty: This fixture is free from defects in materials and workmanship for a period of 5 years from date-of-purchase.

**Specifications and dimensions
subject to change without notice.**



Ordering Information:

White	Black	LED	Lumens	CCT	H	W	D
FTS4141200L30D1WH	FTS4141200L30D1BK	15.5W	1200	3000K	13-1/2"	4"	3-1/2"
FTS4241800L30D1WH	FTS4241800L30D1BK	23W	1800	3000K	24"	4"	3-1/2"