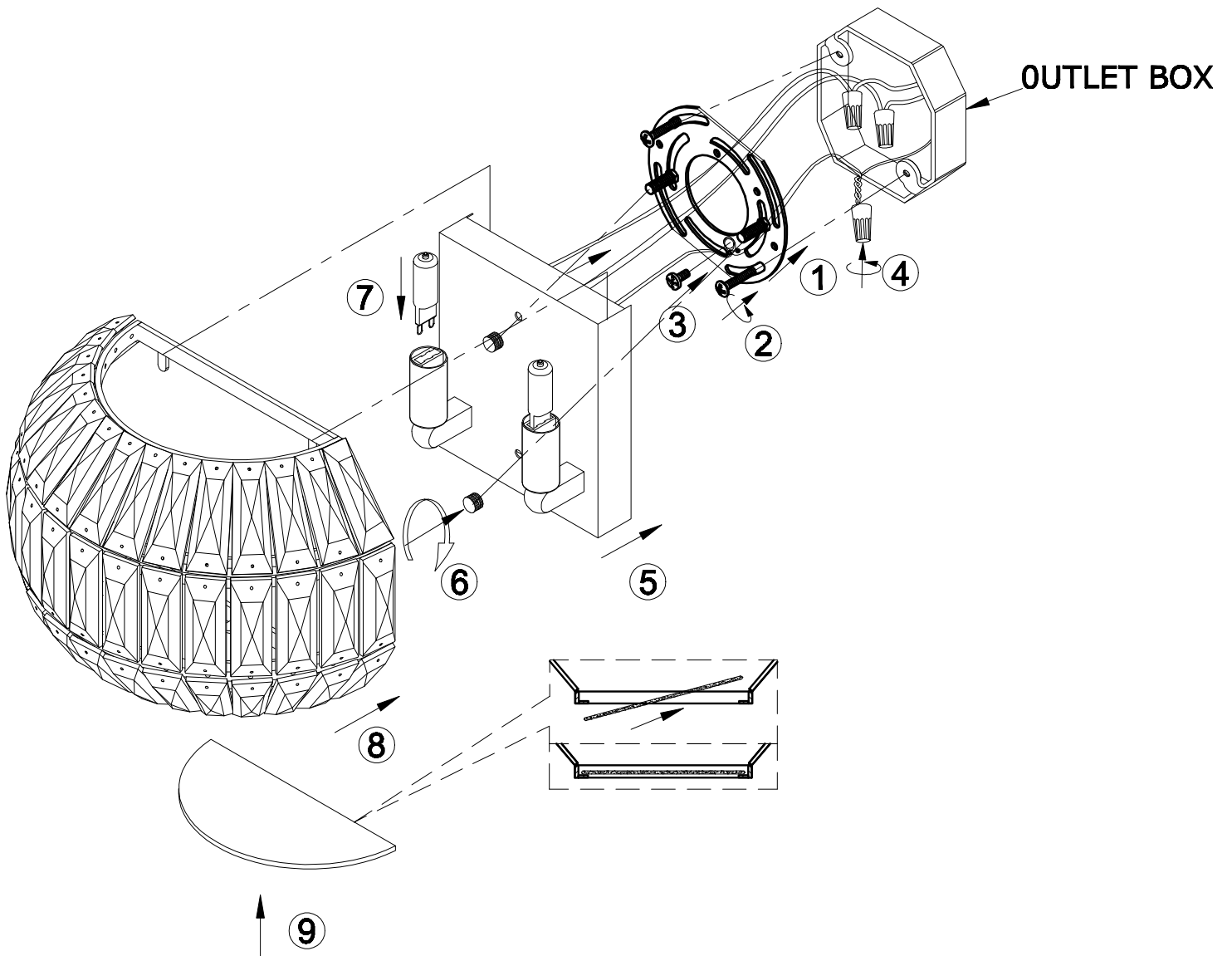


INSTALLATION INSTRUCTION

Item No. :AC134



FEATURE

- Lamp Type: "Xenon"G9 2×MAX 40W 120V~60HZ
- The lamp is for indoor use only