

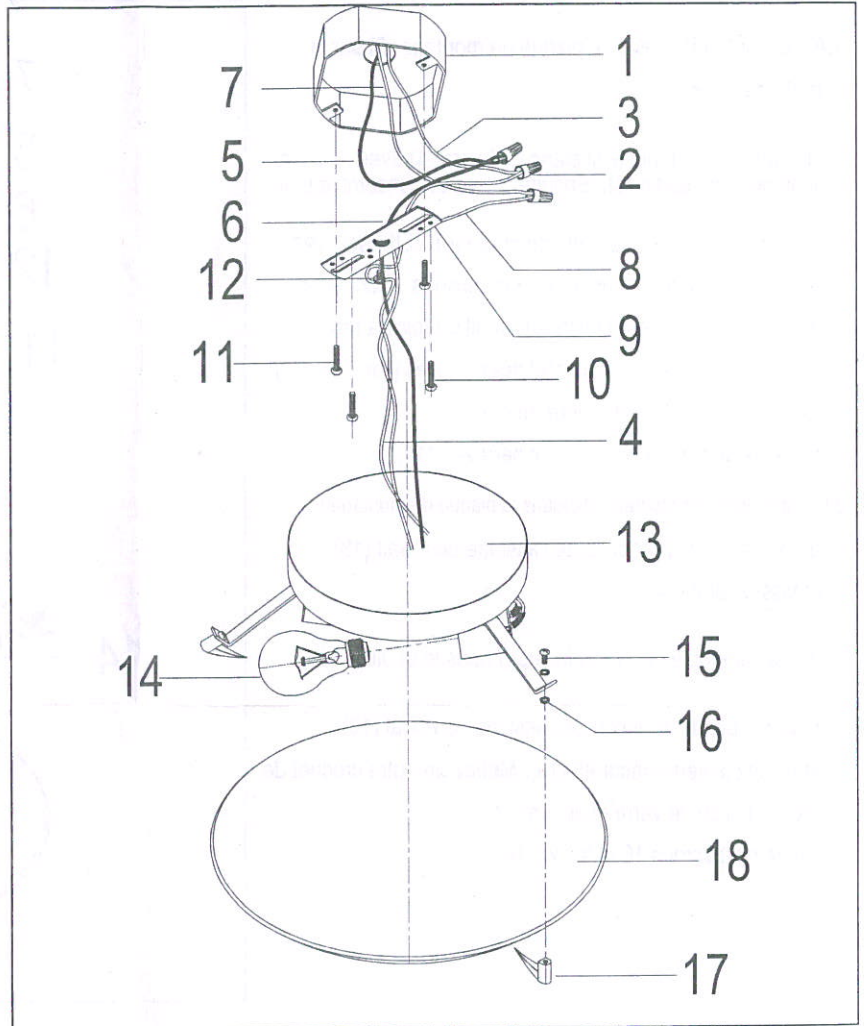
AC6210/AC6211/AC6212/AC2373/AC2374/AC2375 INSTALLATION INSTRUCTIONS

WARNING: BEFORE ATTEMPTING TO INSTALL UNIT ENSURE POWER TO OUTLET BOX IS OFF.

Note: This fixture is partially assembled in the factory by qualified craftsmen. Some assembly is required before use.

Please follow assembly instruction carefully

1. With screw 11 mount the metal plate 9 onto the outlet box 1.
2. Twist together white fixture wire 4 with white outlet wire 3. Next, twist together black fixture wire 6 with black outlet wire 5. Use wire nuts 2 to secure connections. Connect the fixture ground wire 8 to the outlet box ground wire 7 using wire nut (not included), by first wrapping ground wire around ground screw 12, tighten ground screw 12.
3. With the mounting screw 10 through metal plate 9 and the key hole on the ceiling plate 13, and then screw tightly.
4. Install bulb 14 (not included) into socket 13.
5. Stretch the spring strip on the ceiling plate 13 and locate the glass 18, place another metal hook 17 on glass shade, and secure them with lockwashers 16 and screws 15.



Grounding Detail

Connect Black or Red House Wire to	Connect White House Wire to:
Black	White
Parallel cord - SPT I & II (round & .smooth)	Parallel cord - SPT I & II (square & ridged)
Clear, Brown, Gold or Black (without tracer)	Clear, Brown, Gold or Black (with tracer)
Insulated Wire (Other than GREEN) with copper conductor	Insulated Wire (Other than GREEN) with silver conductor

White, Marked, or Ribbed Fixture Wire

White Supply Wire

Black, Unmarked, or Smooth Fixture Wire

Black or Red Supply Wire

WARNING, RISK OF FIRE FOR SUPPLY CONNECTIONS USE WIRE RATED FOR AT LEAST 90°C MOST DWELLINGS BUILT BEFORE 1985 HAVE SUPPLY WIRE RATED 60°C. CONSULT A QUALIFIED ELECTRICIAN BEFORE INSTALLING.