

ASSEMBLY AND INSTALLATION INSTRUCTION

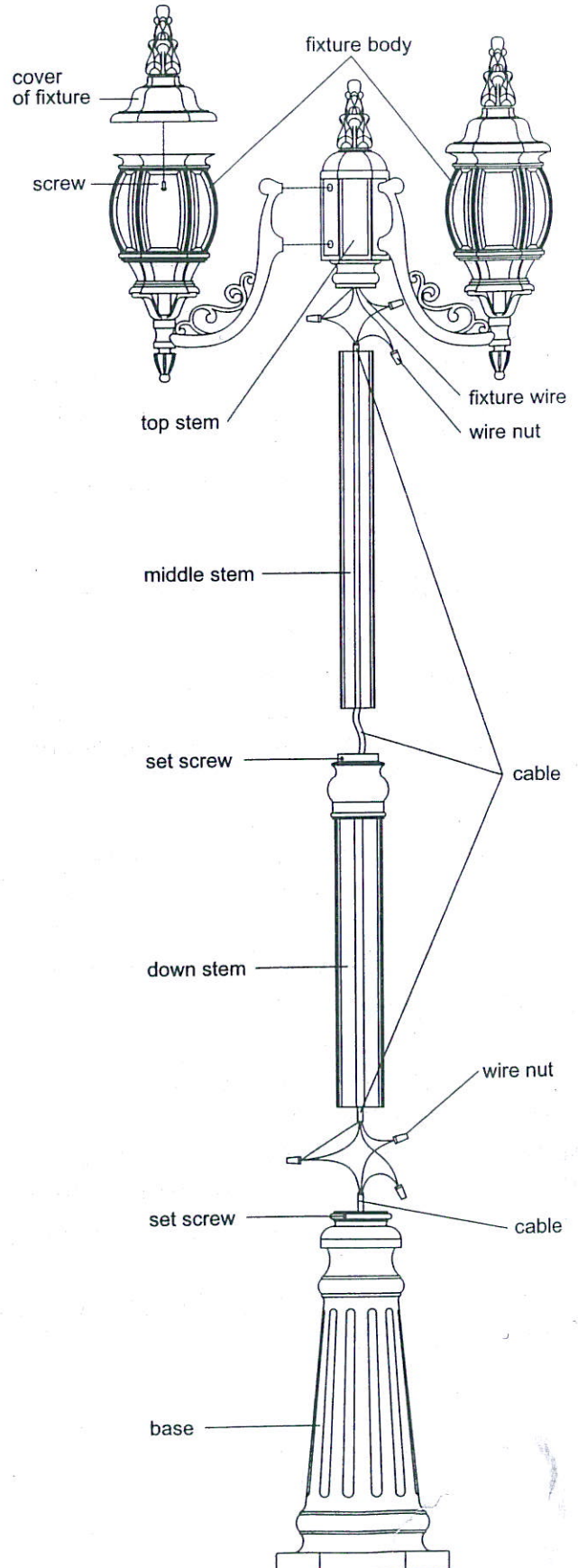
AC8639

WARNING:

TO avoid risk of electrical shock, be sure to shut off power while installing or servicing the fixture. Installation must be made by a qualified electrician.

INSTALLATION STEPS:

1. Attach the fixture body to the top stem with screw.
2. Connect the wires with wires of cable with wire nut.
 - Black wire to black wire of cable
 - White wire to white wire of cable
 - Ground wire to ground wire of cable
3. Attach the top stem to middle stem with set screw.
4. Install bulb to socket (please do not exceed the maximum capacity which is recommended on label).
5. Attach the cover of fixture to fixture body with screw.
6. Fasten the base to built ground with lock nut until secure.
7. Connect the wires with wires of cable with wire nut.
 - Black wire (live) to black wire of cable
 - White wire (neutral) to white wire of cable
 - Ground wire to ground wire of cable
8. Attach the down stem to the base with set screw.
9. Attach the middle stem to the down item with set screw.



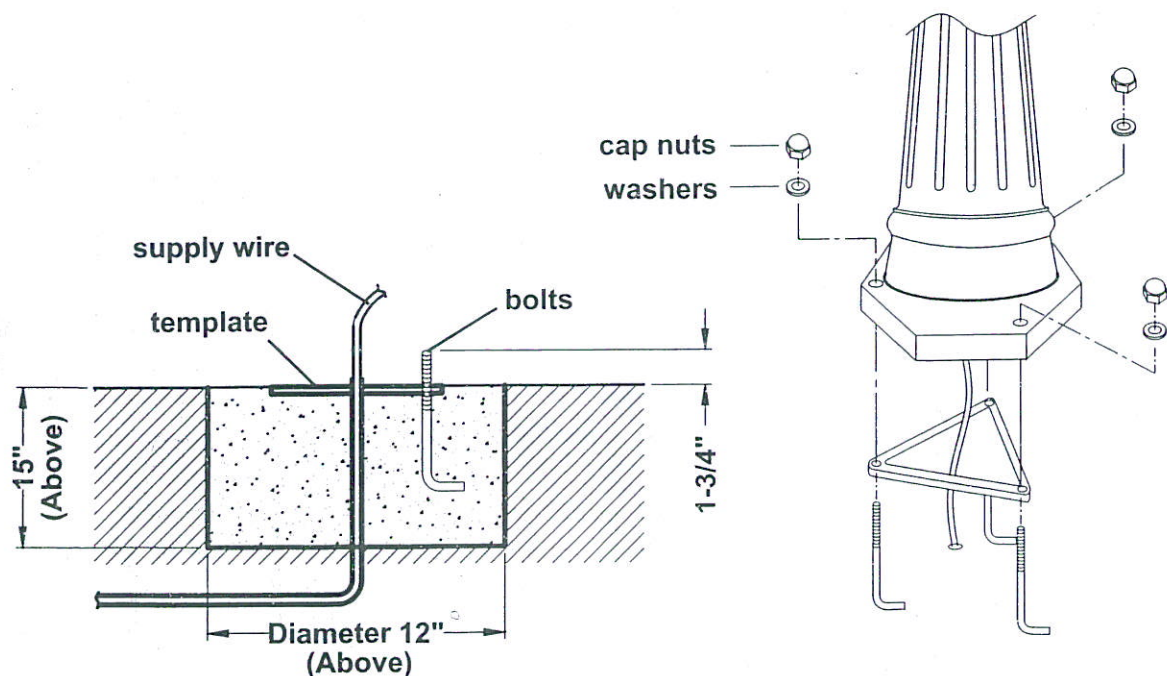


ASSEMBLY INSTRUCTIONS FOR

POST INSTALLATION

A QUALIFIED ELECTRICIAN SHOULD PERFORM INSTALLATION.

1. Your artcraft post is supplied with a template and 3 anchor bolts, each with 1 washer plus 1 cap nut.
2. Screw 3 bolts into the 3 holes of template. The bolts should extend 1-3/4" above the ground.
3. Prepare your ground hole to receive the template assembly with the wiring coming up the center. Applying cement, lower template onto the hole and level with template horizontally.
4. When cement is hardened, Connect wiring & slip post onto bolts & fasten with the washers and then the cap nuts.





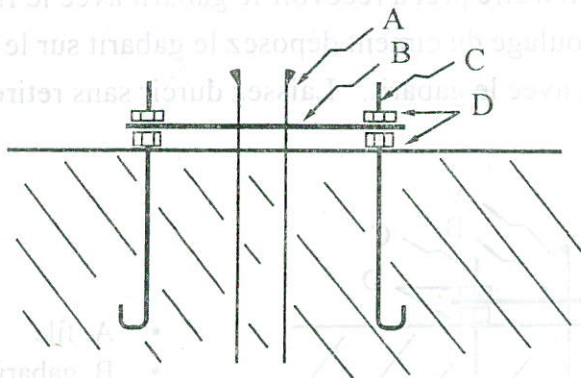
ARTCRAFT®



ASSEMBLY INSTRUCTIONS FOR POST INSTALLATION

A QUALIFIED ELECTRICIAN SHOULD PERFORM INSTALLATION.

1. Your Artcraft post is supplied with a template and 3 anchor, bolts each with 2 nuts & 1 washer.
2. Screw 1 nut onto each bolt, slip on a washer, and slide the template on the 3 bolts, Then fasten the 2nd nut on top of the template, The bolts should extend 2" above the template.
3. Prepare your ground hole to receive the template assembly with the wiring coming up the center. Applying cement, lower template onto the hole and level with template horizontally. Let it set not removing the template.



- A. supply wires
- B. template
- C. bolts
- D. nuts

4. When cement is hardened, remove top nuts & template.
5. Connect wiring & slip post onto bolts & fasten with the top nuts removed (4 above).