

ASSEMBLY AND INSTALLATION INSTRUCTIONS

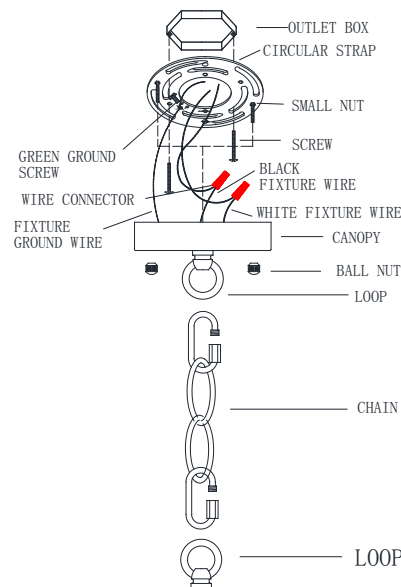
SC660/SC661/SC662

WARNING: TO AVOID RISK OF ELECTRICAL SHOCK, BE SURE TO SHUT OFF POWER WHILE INSTALLING OR SERVICING THIS FIXTURE.

Installation Steps

NOTE: Do not install on ceilings with a Radiant Ceiling Heating System.

1. The Circular Strap contains several pairs of threaded holes, Find the pair of holes that match the hole spacing in your Fixture Canopy and thread the two Studs part Way into the Circular Strap, adjust the length as you measured, and then tighten with the Small Nut.
2. Place the Circular Strap over the Outlet Box so the Studs are vertical or horizontal, as required by fixture type. Holding the Strap in place, screw to the Outlet Box by threading the two Outlet Box Screws, through the slotted holes.
3. Connect the Wires as described under Connecting the Wires
4. Place the fixture **canopy** over the two Studs so they protrude through the holes in the **canopy**, thread the Ball nut onto the Studs and continue turning until the Fixture is snug against the wall. (See “Completing the Installation”.



CONNECTING THE WIRES

Connect the Fixture Wires to the Supply Wires. Make sure all wire connectors are secure and do not easily pull off with a slight tug if there is no Green Ground Wire from the Outlet Box, connect the Fixture Ground Wire to the Circular Strap with the Green Screw provided

5. Screw the Top Loop to the Nipple, and Clamp the other end of the Chain link to the Loop.
6. **Screw the glass shade by using the ball nuts provided.**
7. **Attached the Crystal strings onto the body according to the diagram.**
8. Install the lighting **bulb** in accordance with the fixture’s specifications.

DO NOT EXCEED THE MAXIMUM WATTAGE RATING!

9. Turn on the power at fuse or Circuit Box.

NOTE: All parts must be used as indicated, and the physical integrity must be maintained to insure **ETL/CETL** listing of this fixture.

