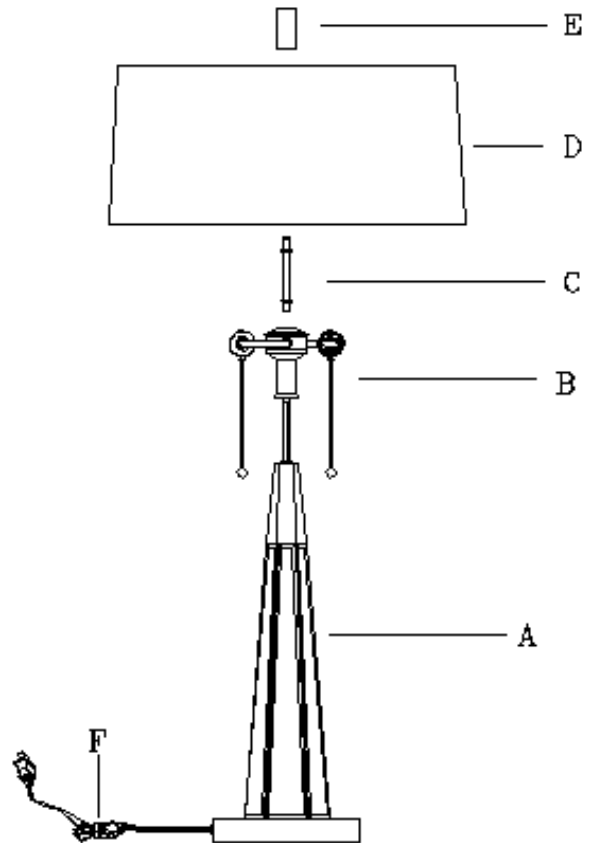


ASSEMBLY INSTRUCTIONS:

ITEM NO.: BO-2743TB

1. CAREFULLY UNPACK AND PLACE ALL PARTS ON A SMOOTH SURFACE AND LINE THEM UP AS PER THE SKETCH.
2. SCREW SOCKET ASSEMBLY (B) INTO LAMP BASE(A) , THEN PULL WIRE(F) OUT FROM BASE.
3. INSERT STEM(C) INTO THE SADDLE OF SOCKET ASSEMBLY (B).
4. PLACE THE SHADE (D) ONTO STEM (C).
5. SCREW FINIAL (E) ONTO STEM (C) TO SECURE THE SHADE(D).
6. INSERT THE POLARIZED PLUG INTO WALL OUTLET, TURN ON THE SWITCH AND ENJOY YOUR NEW LAMP.



USE 2x60 WATTAGE (MAXIMUM) TYPE A BULB (BULB NOT INCLUDED)

IMPORTANT SAFETY INSTRUCTIONS:

THIS PORTABLE LAMP HAS A POLARIZED PLUG (ONE BLADE IS WIDER THAN THE OTHER) AS A SAFETY FEATURE TO REDUCE THE RISK OF ELECTRIC SHOCK. THIS PLUG WILL FIT IN A POLARIZED OUTLET ONLY ONE WAY. IF IT DOES NOT FIT FULLY IN THE OUTLET, REVERSE THE PLUG. IF IT STILL DOES NOT FIT, CONTACT A QUALIFIED ELECTRICIAN. NEVER USE WITH AN EXTENSION CORD UNLESS THE PLUG CAN BE FULLY AND EASILY INSERTED. DO NOT ATTEMPT TO ALTER THE PLUG.

SAVE THESE INSTRUCTIONS FOR FUTURE REFERENCE.