

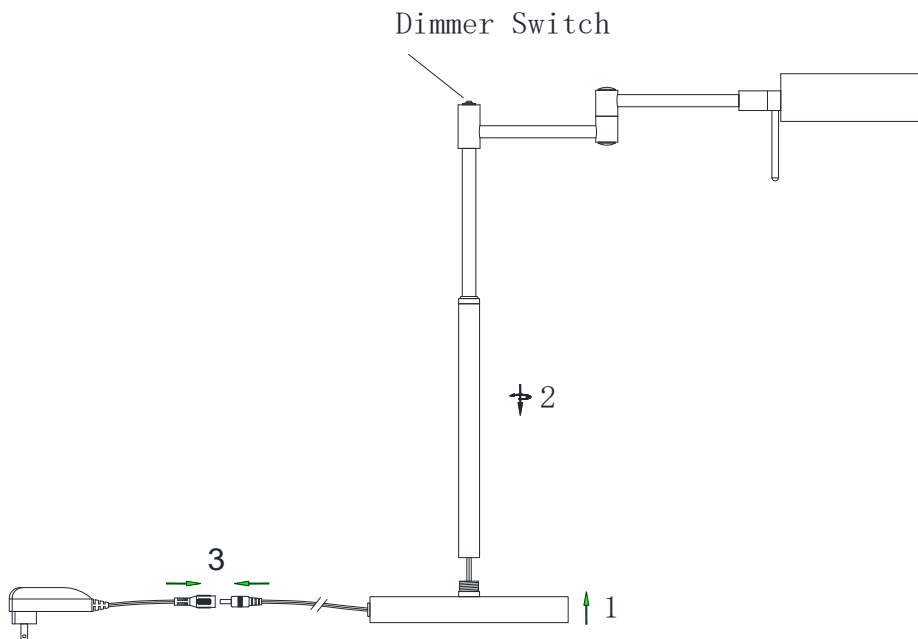
ASSEMBLY INSTRUCTIONS

ITEM NO: BO-2844DK

CAREFULLY UNPACK AND PLACE ALL PARTS
ON A SMOOTH SURFACE.

1. SCREW THE POLE (2) TO BASE (1) CLOCKWISE TO TIGHTEN.
2. ADJUST THE SHADE POLE TO DESIRED ANGLE AND TIGHEN WITH HANDLE (3).
3. JOIN THE ADAPTER (4).
4. INSERT THE POWER PLUG INTO AN OUTLET.
5. PUSH THE DIMMER SWITCH TO TURN ON THE LIGHT OR DIMMING, PUSH FOR MORE THAN 5 SECONDS TO TURN IT OFF.

YOUR LAMP IS NOW READY TO ENJOY!!!



Use 10 Wattage LED bulb (bulb included)

SAVE THESE INSTRUCTIONS FOR FUTURE REFERENCE.