

ASSEMBLY INSTRUCTIONS

ITEM NO: BO-2863TB

CAREFULLY UNPACK AND PLACE ALL PARTS ON A SMOOTH SURFACE.

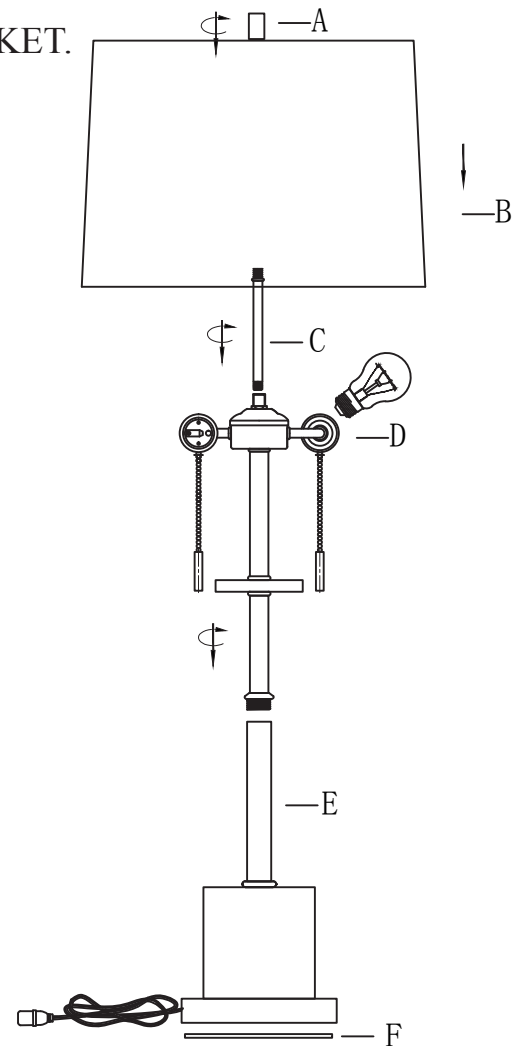
1. SCREW SOCKET ASSEMBLY (D) CLOCKWISE INTO POLE (E) TO TIGHTEN. MAKE SURE CORD IS FACING THE BACK OF LAMP WHEN TIGHTENING THE POLE. THEN THE COVER OF THE NON-WOVEN PAD (F) AND STICK IT TO THE BOTTOM OF THE BASE.

2. SCREW STEM (C) CLOCKWISE INTO SOCKET ASSEMBLY (D) TO TIGHTEN.

3. PLACE SHADE (B) ONTO STEM (C) BY FINIAL (A) CLOCKWISE TO TIGHTEN.

4. INSTALL BULB (NOT INCLUDED) INTO THE SOCKET.

5. INSERT THE POWER PLUG INTO AN OUTLET AND ENJOY !!



Use MAX 2x60 Wattage type A bulb (bulb not included)

IMPORTANT SAFETY INSTRUCTIONS:

SAVE THESE INSTRUCTIONS FOR FUTURE REFERENCE.

THIS PORTABLE LAMP HAS A POLARIZED PLUG (ONE BLADE IS WIDER THAN THE OTHER) AS A FEATURE TO REDUCE THE RISK OF ELECTRIC SHOCK. THIS PLUG WILL FIT IN A POLARIZED OUTLET ONLY ONE WAY. IF IT DOES NOT FIT FULLY IN THE OUTLET, REVERSE THE PLUG. IF IT STILL DOES NOT FIT, CONTACT A QUALIFIED ELECTRICIAN. NEVER USE WITH AN EXTENSION CORD UNLESS THE PLUG CAN BE FULLY INSERTED. DO NOT ALTER THE PLUG.