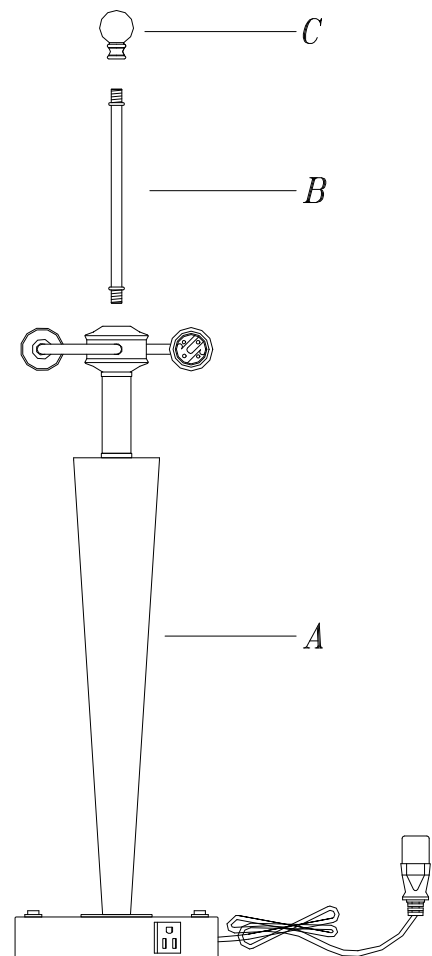


ASSEMBLY INSTRUCTIONS:

ITEM NO.: LA-2025NS-2R

1. Carefully unpack and lay out the parts as shown in illustration.
2. Screw stem (B) to lamp body (A)..
3. Put shade on stem (B),tighten it with finial (C).

Wattage: 2x60W Type A Bulb (excluded)



SAVE THESE INSTRUCTIONS FOR FUTURE REFERENCE.

325985B-3