



# CAL LIGHTING

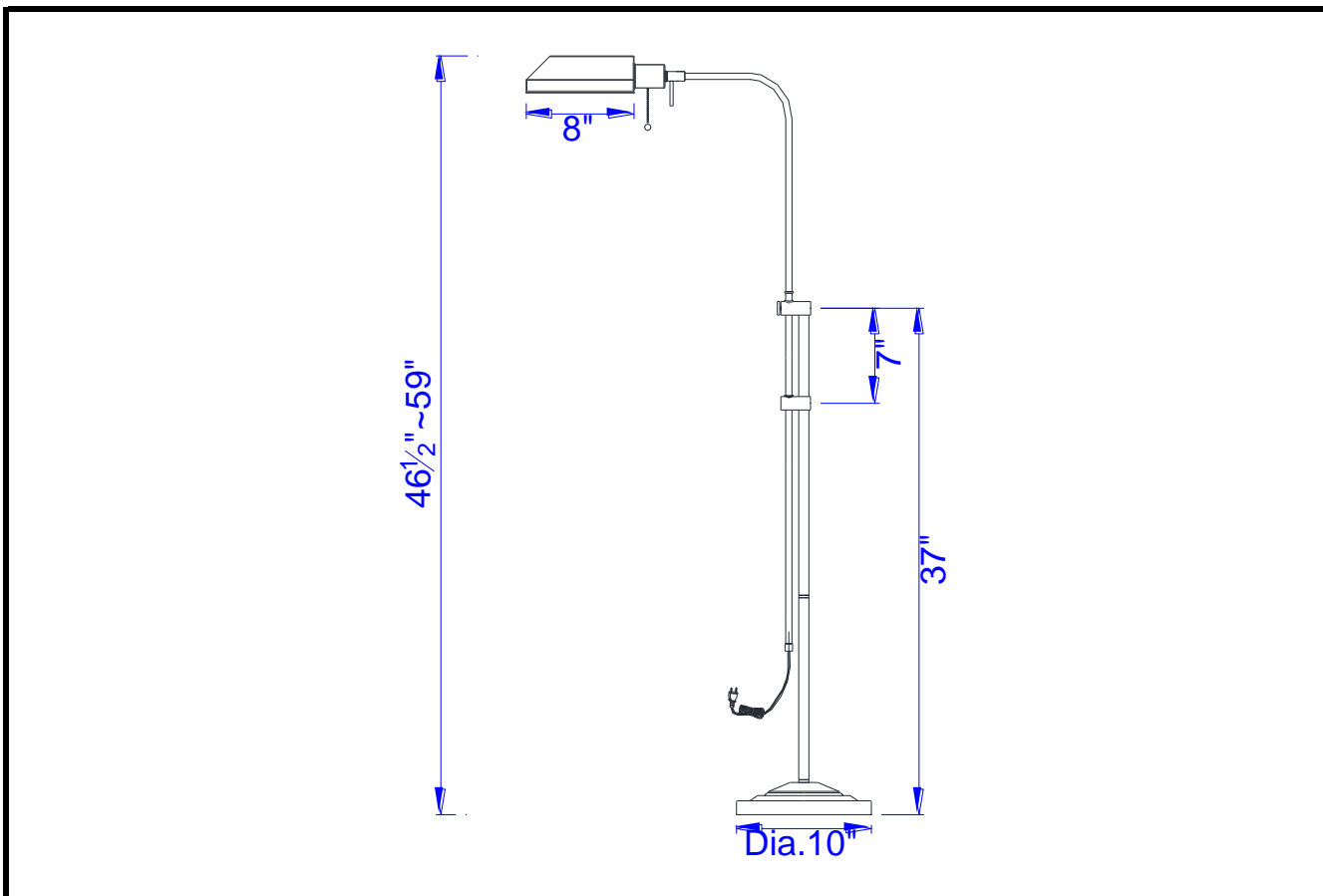
3625 E. Philadelphia St. Ontario CA. 91761 • Tel: 909.947.5200 • Fax:  
909.947.5673 • www.calighting.com • service@calighting.com •  
Specifications subject to change without notice

Type: \_\_\_\_\_

Project: \_\_\_\_\_

Catalog No.: \_\_\_\_\_

Lamp/Wattage: \_\_\_\_\_



**Model No:** BO-117FL

**Description:** Pharmacy Floor Lamp with Adjustable Pole

**Material:** Metal

**Finish :** BS (Brushed Steel)

**Height:** 59"

**Base Width:** 10"

**Wattage :** 100W

**Socket :** Medium Base (E27)

**Switch:** On/OFF Pull Chain

**Bulb:** Incandescent, CFL

**Wire Length:** 6'

**Wire Color:** Silver

**Shade No:**

**Material:** Metal

**Shade size:** 8"x4"x 2 3/4"

**Certificate :**

