



CAL LIGHTING

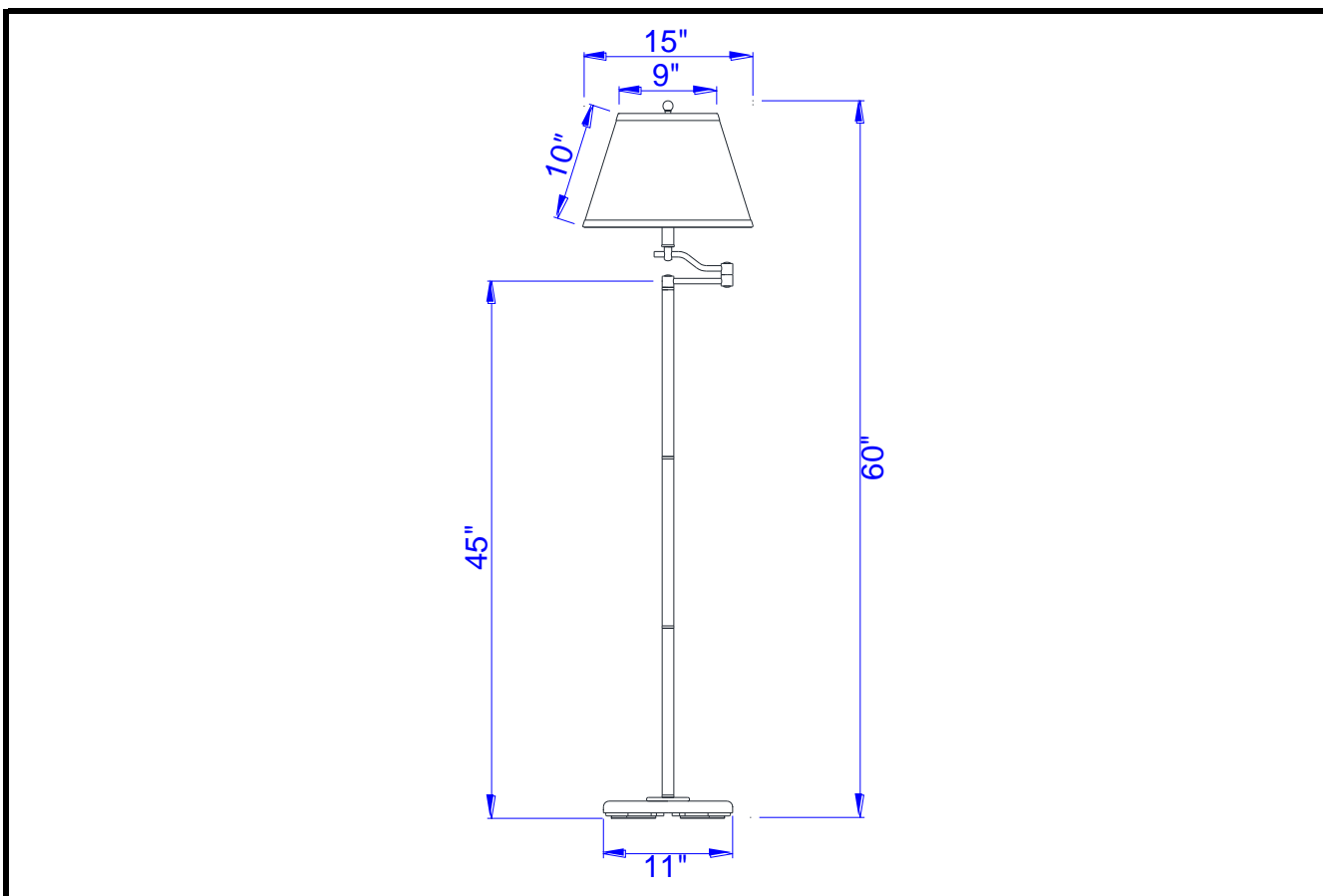
3625 E. Philadelphia St. Ontario CA. 91761 • Tel: 909.947.5200 • Fax:
909.947.5673 • www.calighting.com • service@calighting.com •
Specifications subject to change without notice

Type: _____

Project: _____

Catalog No.: _____

Lamp/Wattage: _____



- Model No:** BO-2350FL
- Description:** Dana Swing Arm Floor Lamp
- Material:** Metal
- Finish :** DB (Dark Bronze)
- Height:** 60"
- Base Width:** Dia. 11"
- Wattage :** 150W
- Socket :** Medium Base (E27)
- Switch:** 3-way
- Bulb:** Incandescent, CFL
- Wire Length:** 6'
- Wire Color:** Black
- Shade No:** SH-1426
- Material:** Linen
- Shade size:** 9"X15"X10"

Certificate :

