



# CAL LIGHTING

3625 E. Philadelphia St. Ontario CA. 91761 • Tel: 909.947.5200 • Fax:  
909.947.5673 • www.calighting.com • service@calighting.com •  
Specifications subject to change without notice

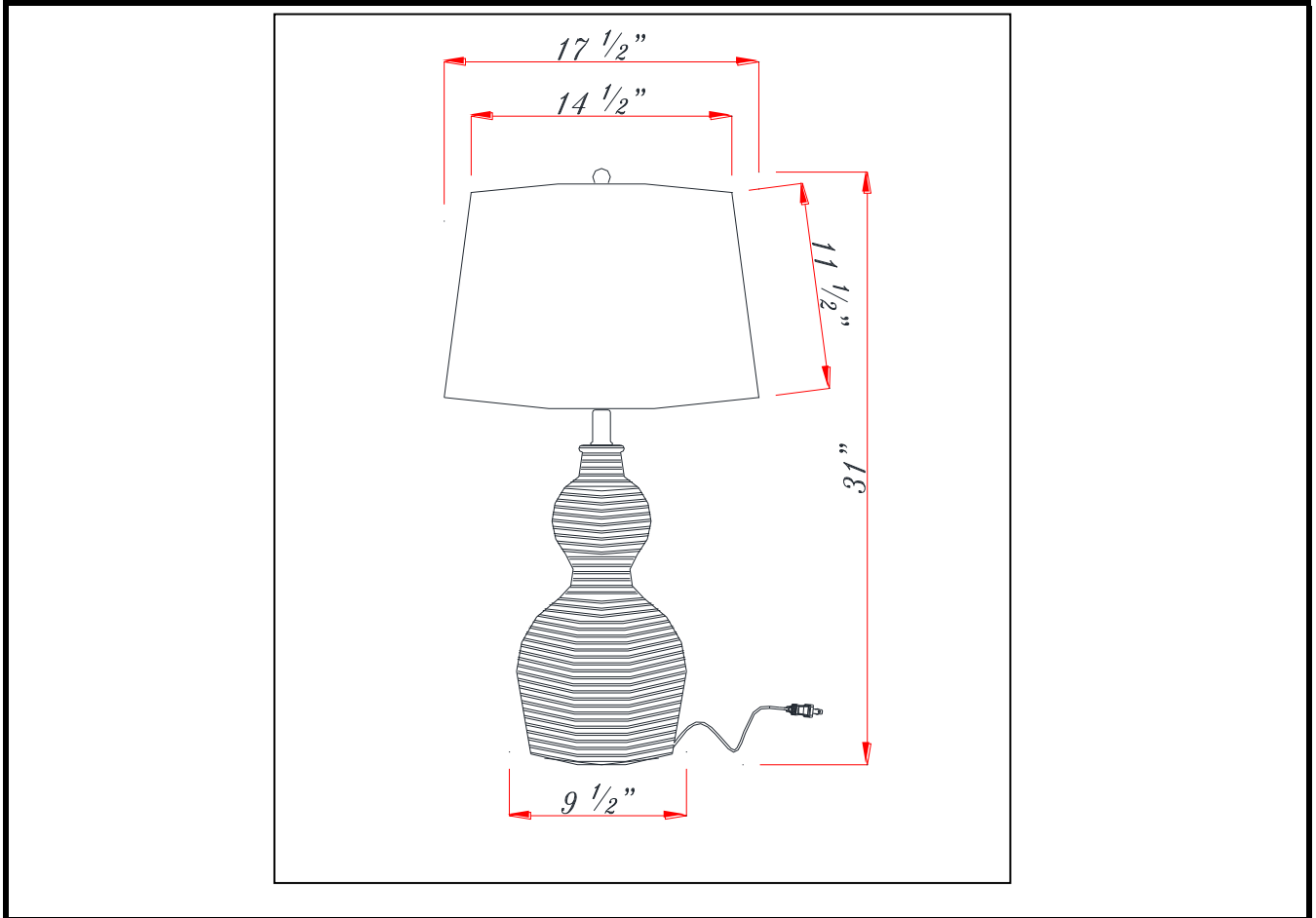
Type: \_\_\_\_\_

Project: \_\_\_\_\_

Catalog No.: \_\_\_\_\_

Lamp/Wattage: \_\_\_\_\_

Drawing:



- Model No:** BO-2633TB-2
- Description:** 150W 3 way ceramic table lamp with hardback fabric shade (sold in pairs)
- Material:** Ceramic
- Finish :** Stone
- Height:** 31"
- Width:** 17 1/2"
- Wattage :** 150W
- Socket :** Medium Base (E27)
- Bulb:** Incandescent
- Chain Length:**
- Wire Length:** 6'
- Wire Color:** Brown
- Shade No:**
- Material:** Linen
- Shade size:** 14 1/2"x17 1/2" x 11 1/2"
- Certificate :** 