



# CAL LIGHTING

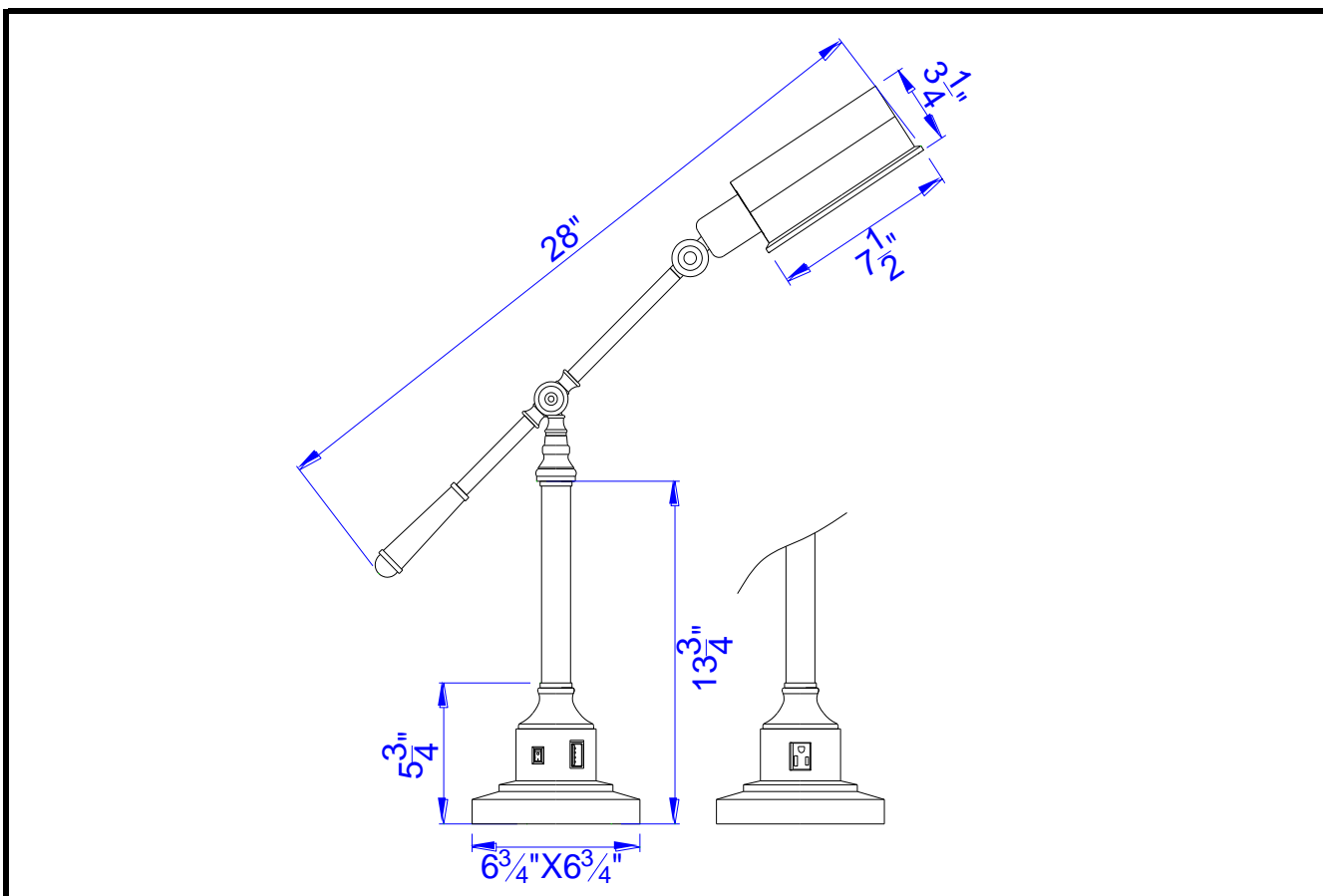
3625 E. Philadelphia St. Ontario CA. 91761 • Tel: 909.947.5200 • Fax:  
909.947.5673 • www.calighting.com • service@calighting.com •  
Specifications subject to change without notice

Type: \_\_\_\_\_

Project: \_\_\_\_\_

Catalog No.: \_\_\_\_\_

Lamp/Wattage: \_\_\_\_\_



**Model No:** BO-2687DK

**Description:** 60W Angelton Balance Arm Metal Desk Lamp With 1 USB Port and 1 Outlet

**Material:** Metal

**Finish :** Brushed Steel/Wood

**Height:** 28 1/2"

**Base Width:** 6 3/4"x6 3/4"

**Wattage :** 60W

**Socket :** Medium Base (E26)

**Switch:** On/off Rocker Switch

**Bulb:** Incandescent, CFL

**Wire Length:** 6'

**Wire Color:** Silver

**Shade No:**

**Material:** Metal

**Shade size:** 7 1/2"x 3 1/4"

**Certificate :** 