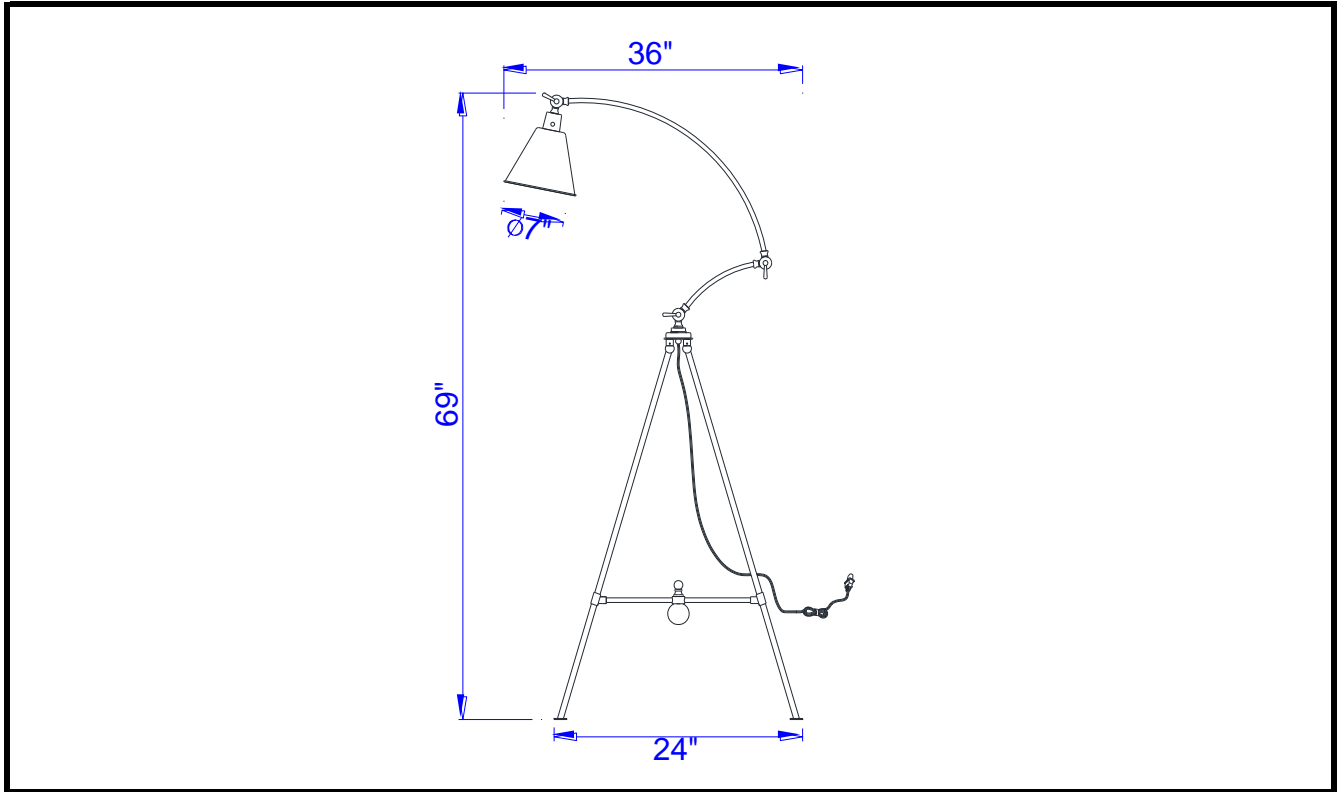




CAL LIGHTING

3625 E. Philadelphia St. Ontario CA. 91761 • Tel: 909.947.5200 • Fax:
909.947.5673 • www.calighting.com • service@calighting.com •
Specifications subject to change without notice

Type: _____
Project: _____
Catalog No.: _____
Lamp/Wattage: _____



- Model No:** BO-2713FL
- Description:** 60W Merton metal adjustable tripod floor lamp with metal shade
- Material:** Metal
- Finish :** Antiqued Pewter
- Height:** 69"
- Reach:** 36"
- Base Width:** 24"
- Wattage :** 60W
- Socket :** Medium Base (E26)
- Switch:** On/off
- Bulb:** Incandescent, CFL
- Wire Length:** 6'
- Wire Color:** Silver
- Shade No:**
- Material:** Metal
- Shade size:** Dia.7"

Certificate : 