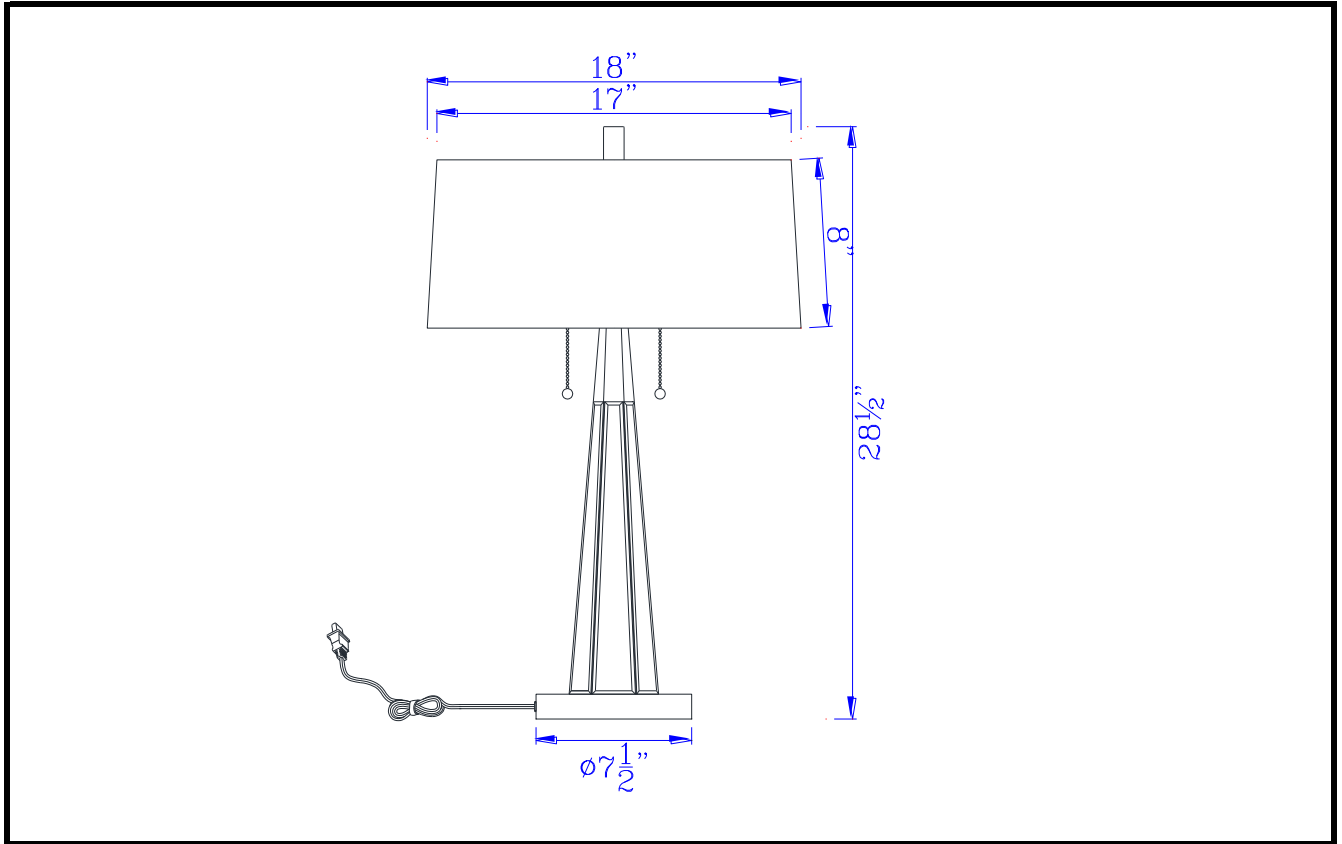




# CAL LIGHTING

3625 E. Philadelphia St. Ontario CA. 91761 • Tel: 909.947.5200 • Fax:  
909.947.5673 • www.calighting.com • service@calighting.com •  
Specifications subject to change without notice

Type: \_\_\_\_\_  
Project: \_\_\_\_\_  
Catalog No.: \_\_\_\_\_  
Lamp/Wattage: \_\_\_\_\_



**Model No:** BO-2743TB  
**Description:** 60W x 2 Caserta mirror table lamp with linen shade  
**Material:** Metal/Wood  
**Finish :** MIRROR/BLACK  
**Height:** 28 1/2"  
**Reach:** 18"  
**Base Width:** Dia.7 1/2"  
**Wattage :** 60W x 2  
**Socket :** Medium Base (E26)  
**Switch:** On/off  
**Bulb:** Incandescent, CFL  
**Wire Length:** 6'  
**Wire Color:** Silver  
**Shade No:**  
**Material:** Fabric  
**Shade size:** 17"x18"x8"

**Certificate :** 