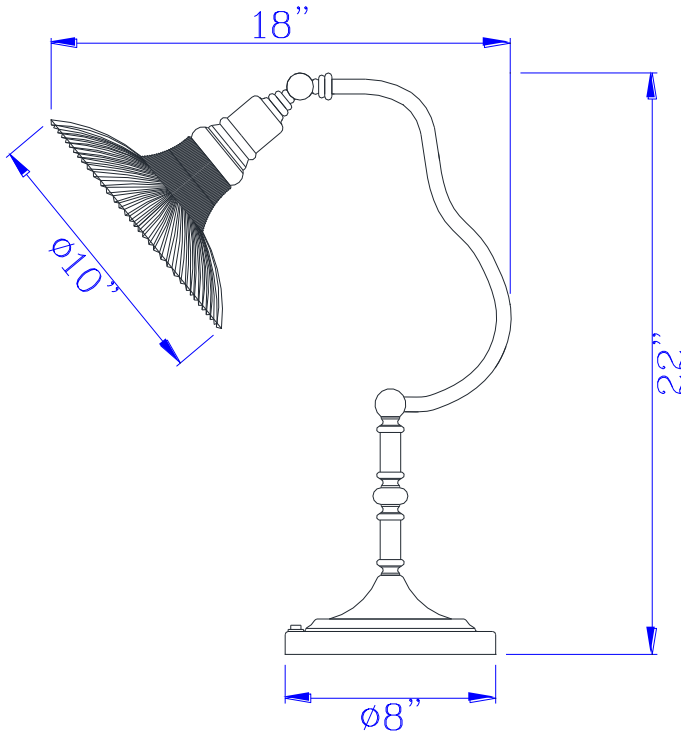




CAL LIGHTING

3625 E. Philadelphia St. Ontario CA. 91761 • Tel: 909.947.5200 • Fax:
909.947.5673 • www.calighting.com • service@calighting.com •
Specifications subject to change without notice

Type: _____
Project: _____
Catalog No.: _____
Lamp/Wattage: _____



- Model No:** BO-2775DK
- Description:** 60W Waynoka metal desk lamp with glass shade. Edison bulb included.
- Material:** Metal
- Finish :** DB (Dark Bronze)
- Height:** 22"
- Reach:** 18"
- Base Width:** Dia.8"
- Wattage :** 60W
- Socket :** Medium Base (E26)
- Bulb:** Incandescent, CFL (LB-7147-60W)
- Switch:** On/off
- Wire Length:** 6'
- Shade No:**
- Material:** Metal
- Shade size:** Dia.10"
- Certificate :** 