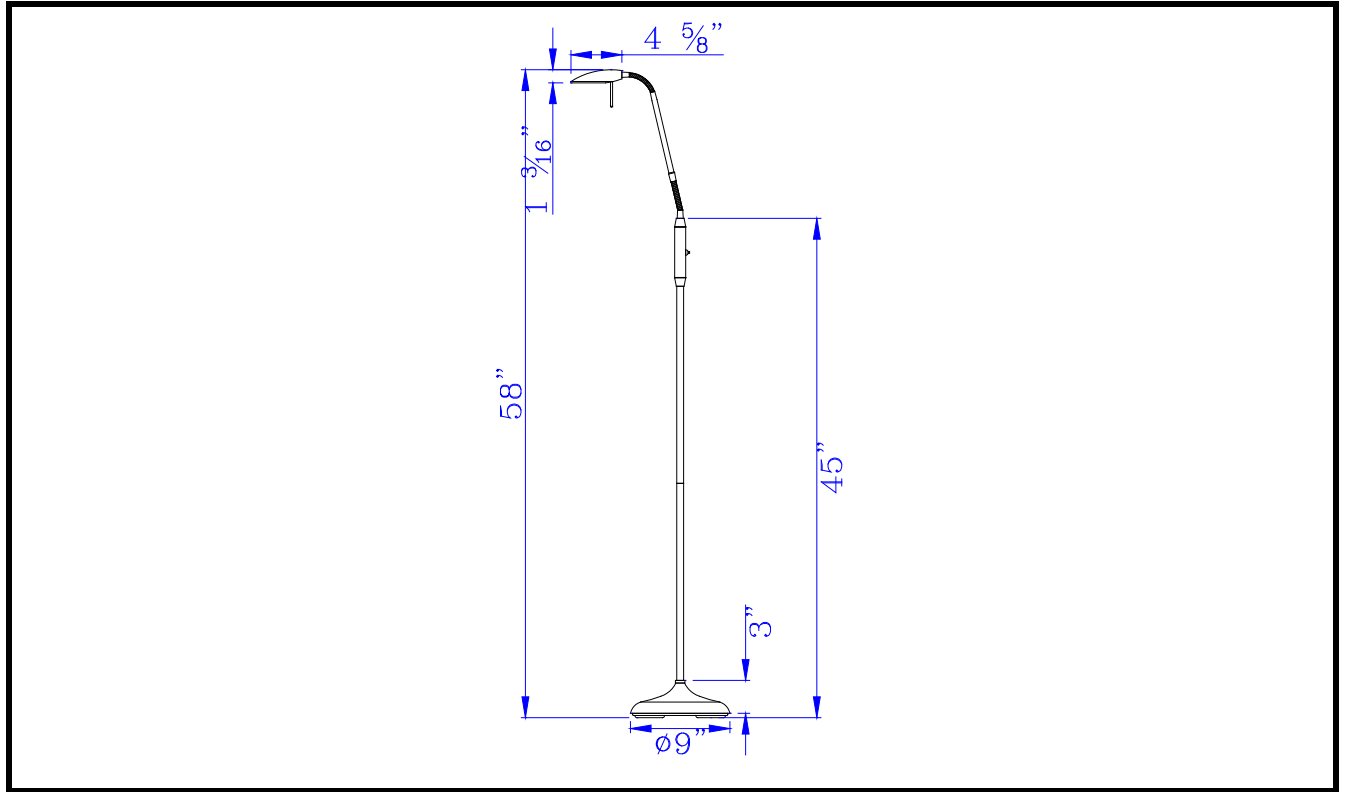




CAL LIGHTING

3625 E. Philadelphia St. Ontario CA. 91761 • Tel: 909.947.5200 • Fax:
909.947.5673 • www.calighting.com • service@calighting.com •
Specifications subject to change without notice

Type: _____
Project: _____
Catalog No.: _____
Lamp/Wattage: _____



- Model No:** BO-2782FL-DB
- Description:** Anzio 5W LED metal gooseneck floor lamp
- Material:** Metal
- Finish :** Dark Bronze
- Height:** 58"
- Reach/Depth:** 16"
- Base Width:** Dia.9"
- Wattage :** LED 5W
- Socket :** LED
- Switch:** On/off
- Bulb:** LED
- Lumen:** 380
- Kelvin:** 3000K
- Dimming:** Dimmable
- Wire Length:** 6'
- Wire Color:** Black
- Shade No:**
- Material:** Metal
- Shade size:** $4 \frac{5}{8}" \times 1 \frac{1}{4}"$

Certificate :

