



CAL LIGHTING

3625 E. Philadelphia St. Ontario CA. 91761 • Tel: 909.947.5200 • Fax:
909.947.5673 • www.calighting.com • service@calighting.com • Specifications
subject to change without notice

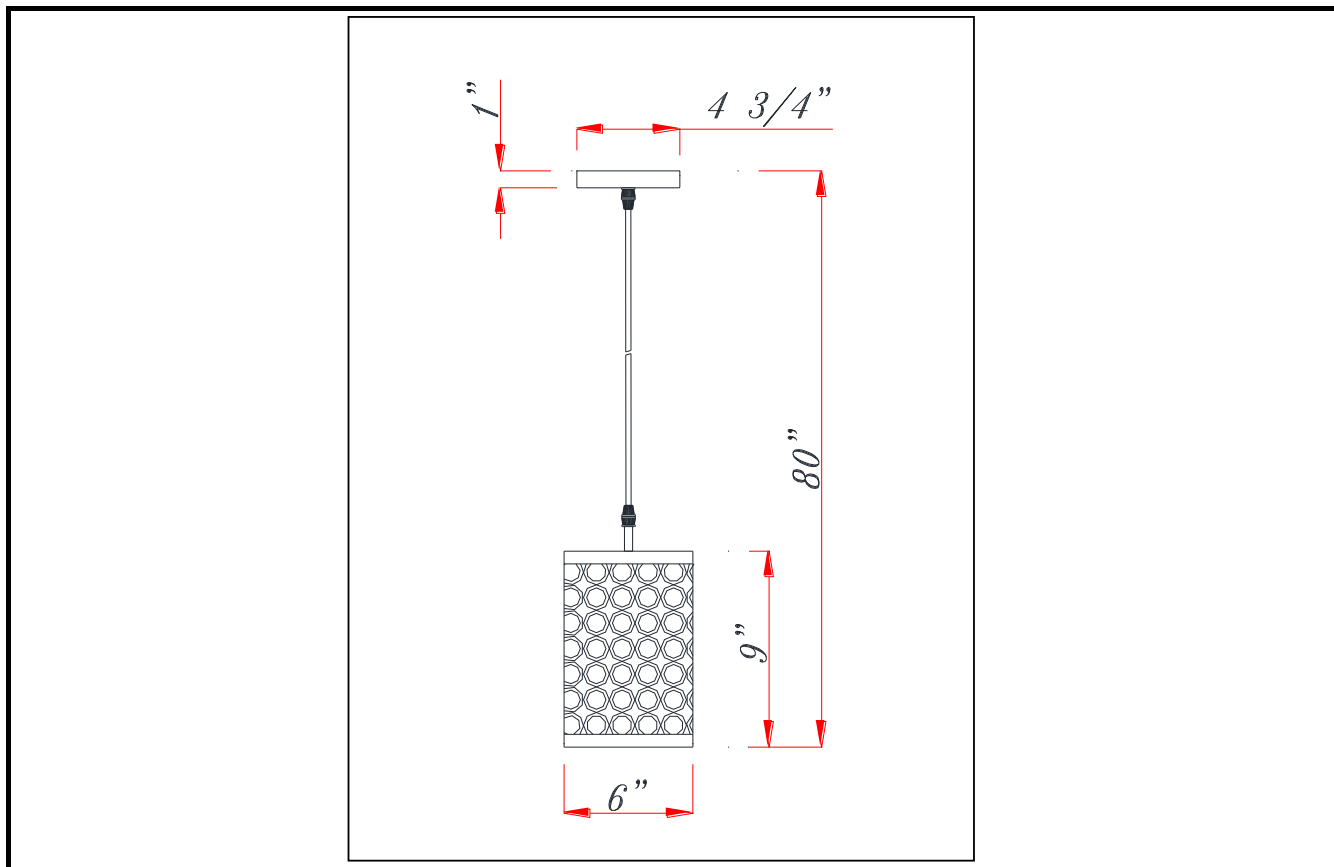
Type: _____

Project: _____

Catalog No.: _____

Lamp/Wattage: _____

Drawing:



Model No: FX-2293/1PL
Description: Madrid Metal Framed Single Pendant Fixture
Material: Metal
Finish : Chrome
Height: 80"
Width: 6"
Wattage : 60W
Socket : Medium Base (E27)
Bulb: Incandescent
Chain Length:
Wire Length: 6'
Wire Color: Silver
Shade No:
Material:
Shade size: Dia6"x 9"

Certificate :

