



CAL LIGHTING

3625 E. Philadelphia St. Ontario CA. 91761 • Tel: 909.947.5200 • Fax:
909.947.5673 • www.calighting.com • service@calighting.com •
Specifications subject to change without notice

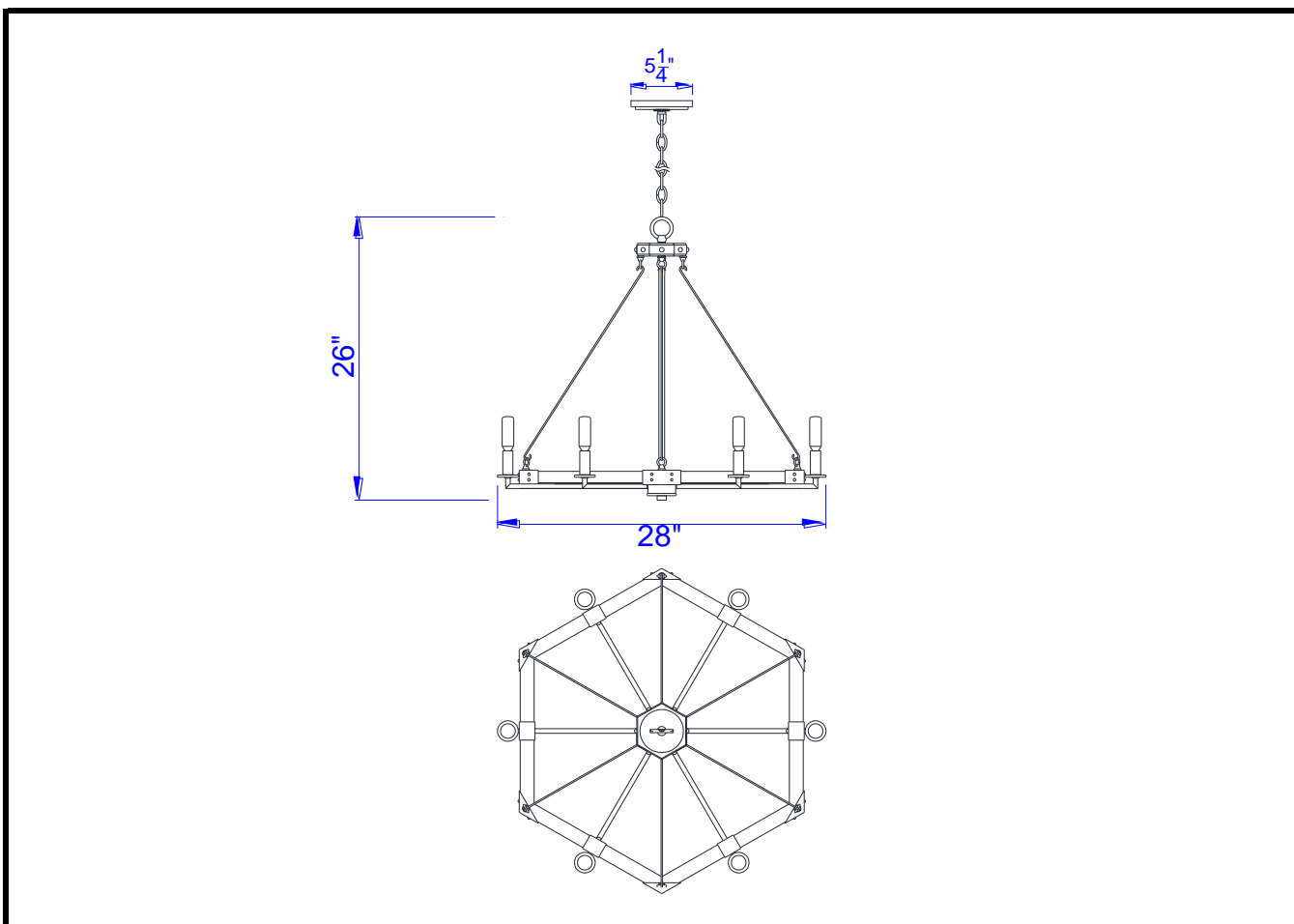
Type: _____

Project: _____

Catalog No.: _____

Lamp/Wattage: _____

Drawing:



Model No: FX-3533/6
Description: 6 LTG Blacksmith Metal/Resin Chandelier
Material: Metal
Finish : Blacksmith Iron
Height: 24 1/2"
Width: 28"
Wattage : 60Wx6
Socket : Candelabra Base (E12)
Bulb: Incandescent
Chain Length: 6'
Wire Length: 10'
Wire Color: Brown
Shade No:
Material:
Shade size:
Certificate : 