

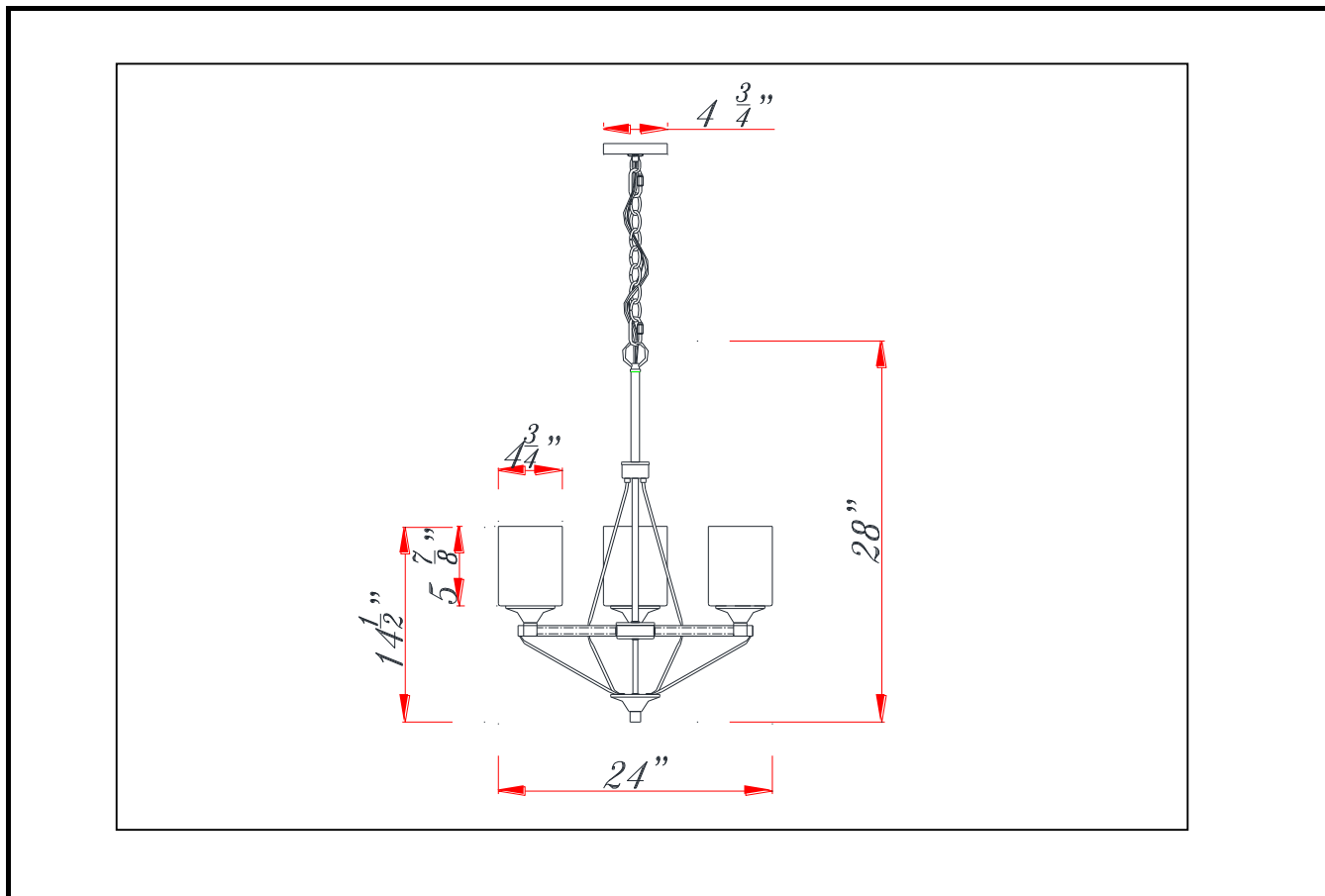


CAL LIGHTING

3625 E. Philadelphia St. Ontario CA. 91761 • Tel: 909.947.5200 • Fax:
909.947.5673 • www.calighting.com • service@calighting.com • Specifications
subject to change without notice

Type: _____
Project: _____
Catalog No.: _____
Lamp/Wattage: _____

Drawing:



Model No: FX-3538/3
Description: 3 Lights Cresco Metal Chandelier with Bubble Glass Shade
Material: Metal/Glass
Finish : Textured Steel
Height: 28"
Width: 24"
Wattage : 60W x 3
Socket : Medium Base (E26)
Bulb: Incandescent
Chain Length: 6'
Wire Length: 10'
Wire Color: Brown
Shade No:
Material: Glass
Shade size: Dia 4 3/8"x H 5 7/8"

Certificate :

