



# CAL LIGHTING

3625 E. Philadelphia St. Ontario CA. 91761 • Tel: 909.947.5200 • Fax:  
909.947.5673 • www.calighting.com • service@calighting.com •  
Specifications subject to change without notice

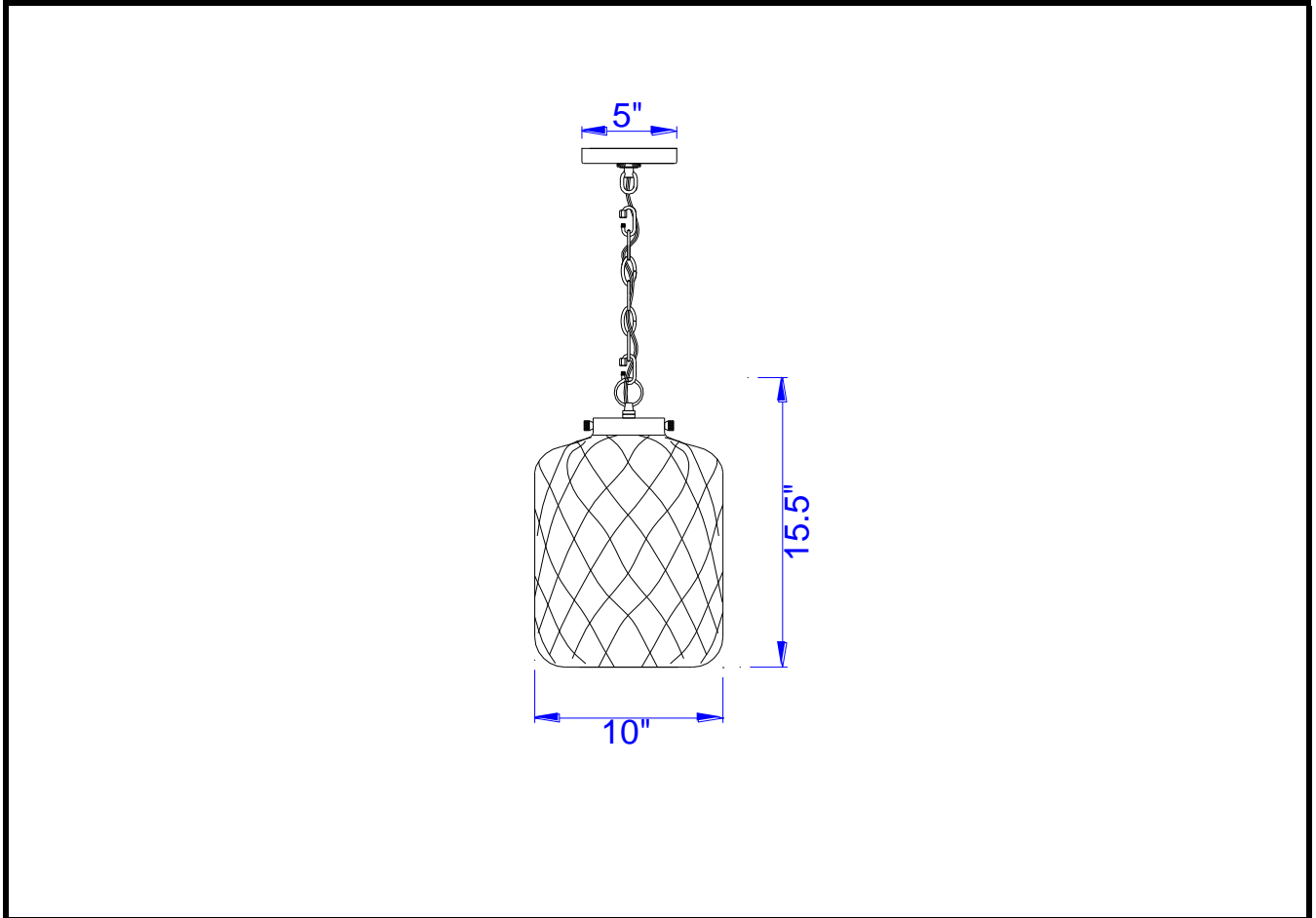
Type: \_\_\_\_\_

Project: \_\_\_\_\_

Catalog No.: \_\_\_\_\_

Lamp/Wattage: \_\_\_\_\_ 100W

## Drawing:



- Model No:** FX-3575/1P
- Description:** Rope wrapped Bubble Glass Pendant Fixture
- Material:** Glass/Rope
- Finish :** Glass
- Height:** 15.5"
- Width:** 10"
- Wattage :** 100W
- Socket :** Medium Base (E26)
- Bulb:** Incandescent
- Chain Length:** 6'
- Wire Length:** 10'
- Wire Color:** brown
- Shade No:**
- Material:**
- Shade size:**
- Certificate :** 