

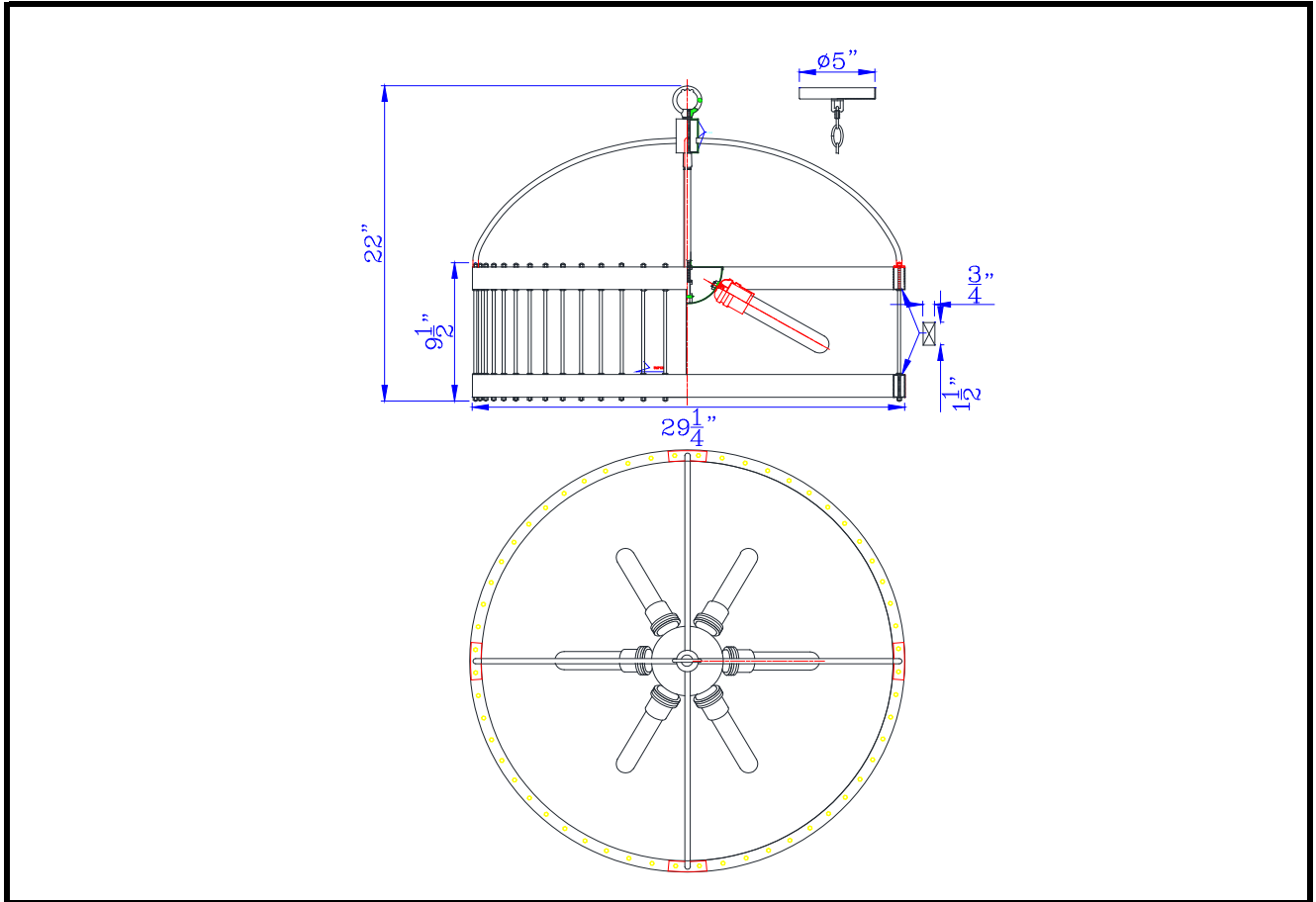


# CAL LIGHTING

3625 E. Philadelphia St. Ontario CA. 91761 • Tel: 909.947.5200 • Fax:  
909.947.5673 • www.calighting.com • service@calighting.com •  
Specifications subject to change without notice

Type: \_\_\_\_\_  
Project: \_\_\_\_\_  
Catalog No.: \_\_\_\_\_  
Lamp/Wattage: \_\_\_\_\_

Drawing:



**Model No:** FX-3700-6L  
**Description:** Cantania 60W x 6 metal pendant fixture (Edison bulbs not included)  
**Material:** Metal  
**Finish :** Metal  
**Height:** 22"  
**Width:** 29 1/4"  
**Reach:** 29 1/4"  
**Wattage :** 60Wx6  
**Socket :** Medium Base ( E26 )  
**Bulb:** Incandescent or CFL  
**Chain Length:** 6'  
**Wire Length:** 10"  
**Wire Color:** Brown  
**Shade No:**  
**Material:**  
**Shade size:**  
**Certificate :**

