



# CAL LIGHTING

3625 E. Philadelphia St. Ontario CA. 91761 ◦ Tel: 909.947.5200 ◦ Fax:  
909.947.5673 ◦ www.calighting.com ◦ service@calighting.com ◦  
Specifications subject to change without notice

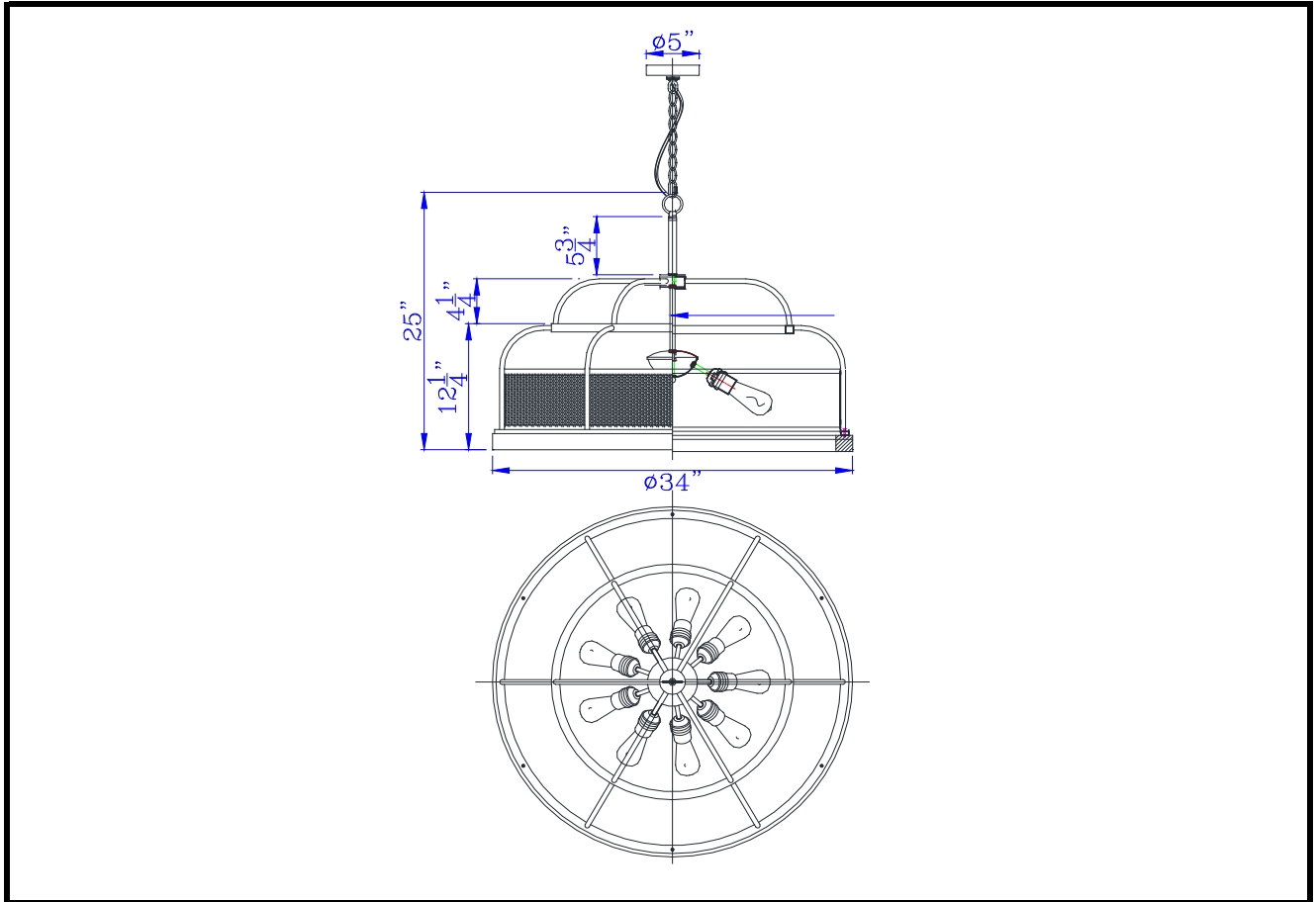
Type: \_\_\_\_\_

Project: \_\_\_\_\_

Catalog No.: \_\_\_\_\_

Lamp/Wattage: \_\_\_\_\_

Drawing:



- Model No:** FX-3706-9
- Description:** Akaki 60W x 9 metal/wood chandelier (Edison bulbs not included)
- Material:** Wood/Metal
- Finish :** Iron/Light Oak
- Height:** 25"
- Width:** Dia.34"
- Reach:** Dia.34"
- Wattage :** 60Wx9
- Socket :** Medium Base ( E26 )
- Bulb:** Incandescent
- Chain Length:** 6'
- Wire Length:** 10"
- Wire Color:** Black
- Shade No:**
- Material:**
- Shade size:**
- Certificate :** 