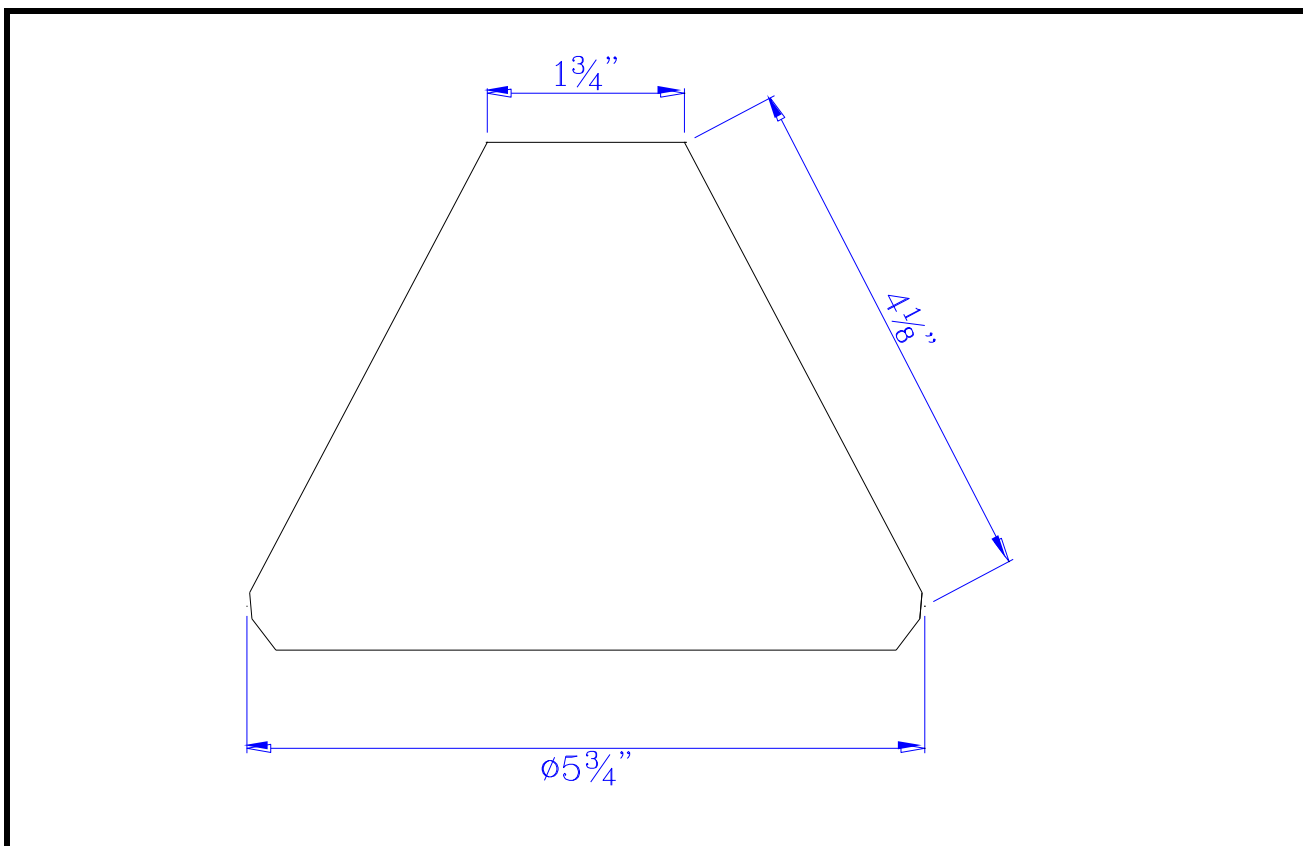




CAL LIGHTING

3625 E. Philadelphia St. Ontario CA. 91761 • Tel: 909.947.5200 • Fax:
909.947.5673 • www.calighting.com • service@calighting.com •
Specifications subject to change without notice

Type: _____
Project: _____
Catalog No.: _____
Lamp/Wattage: _____



Model No. : HT-223-SHADE

Description: Lighting Shade Only.

Capability :

Bulb : PAR38(halogen)

Socket :

Voltage :

Wattage : 150W Max

Finish : BS (Brushed Steel)

Certificate :