

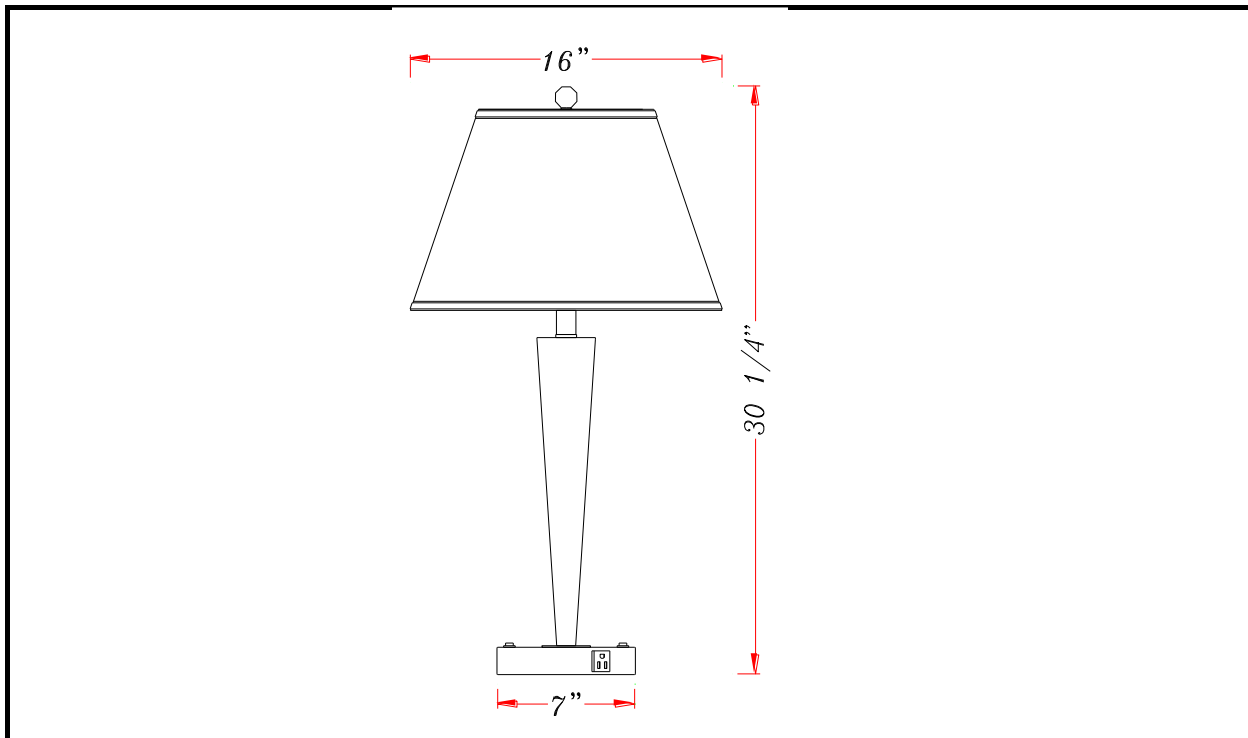


CAL LIGHTING

3625 E. Philadelphia St. Ontario CA. 91761 • Tel: 909.947.5200 • Fax:
909.947.5673 • www.calighting.com • service@calighting.com • Specifications
subject to change without notice

Type: _____
Project: _____
Catalog No.: _____
Lamp/Wattage: _____

Drawing:



- Model No:** LA-2025NS-2RBW
- Description:** 60Wx2 Murcia metal desk lamp with rocker base switch with 1 power outlet
- Material:** METAL
- Finish :** Brushed Steel/Wood
- Height:** 30 1/4"
- Base Width:** D7"
- Harp Size:** 9"
- Wattage :** 60wx2
- Socket :** Medium Base (E26)
- Switch:** Rocker base switch
- Bulb:** Incandescent, CFL
- Power Outlet:** 1
- Ethernet Jack:** None
- Cord:** SVT 18#
- Cord Length:** 6'
- Cord Color:** BLACK
- Shade No:** SH-1218
- Material:** Fabric
- Shade size:** 9"x16"x11"

Certificate :

