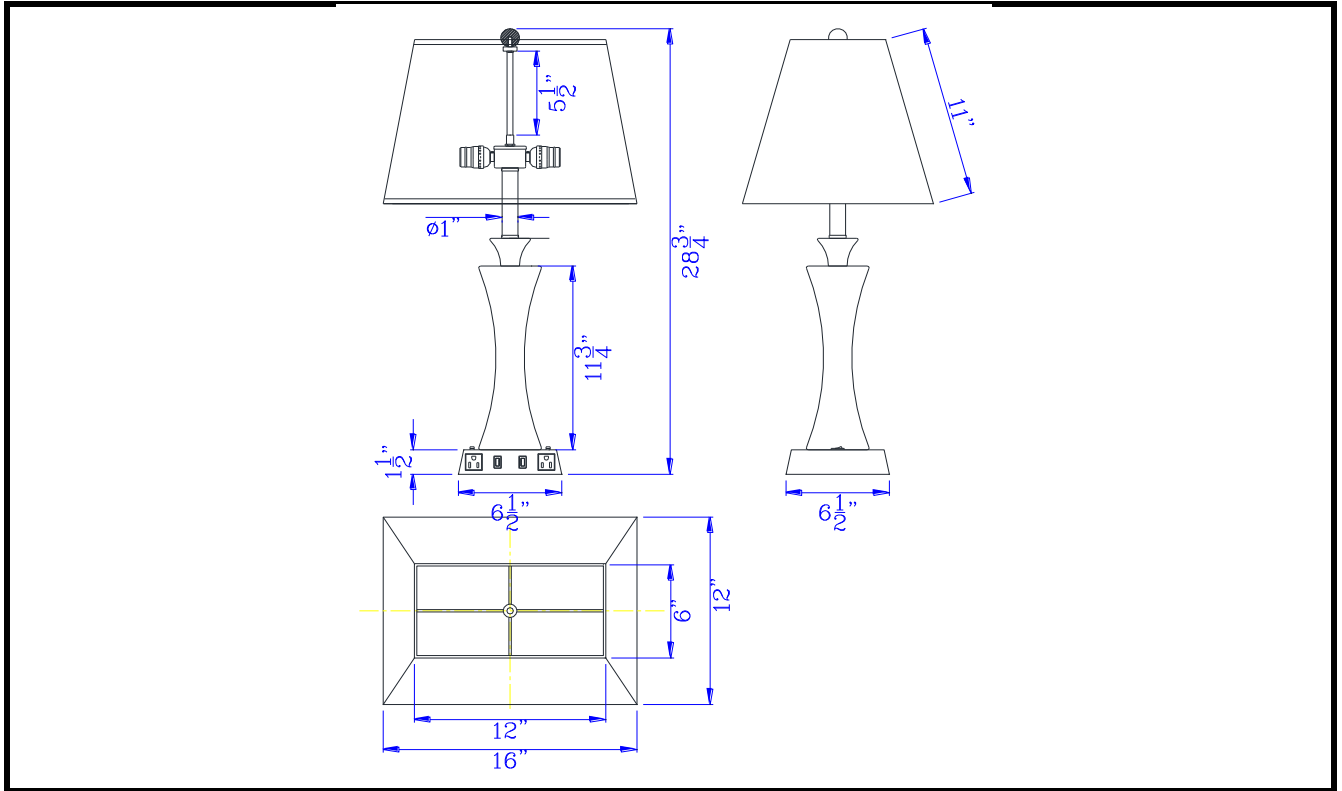




CAL LIGHTING

3625 E. Philadelphia St. Ontario CA. 91761 • Tel: 909.947.5200 • Fax:
909.947.5673 • www.calighting.com • service@calighting.com •
Specifications subject to change without notice

Type: _____
Project: _____
Catalog No.: _____
Lamp/Wattage: _____



Model No: LA-8021NS-5R-BS
Description: Metal Night Stand Lamp
Material: Metal
Finish : Brushed Steel
Height: 29"
Reach/Depth: 10"
Base Width: 6 1/2"x 6 1/2"
Wattage : 60wx2
Socket : Medium Base
Switch: On/off Rocker
Bulb: Incandescent or CFL
USB: 2
Outlet: 2
Wire Length: 6'
Wire Color: Silver
Shade No: SH-1488
Material: Fabric
Shade size: 6"X12"X12"X16"X11"
Certificate : 