



CAL LIGHTING

3625 E. Philadelphia St. Ontario CA. 91761 • Tel:
909.947.5200 • Fax:

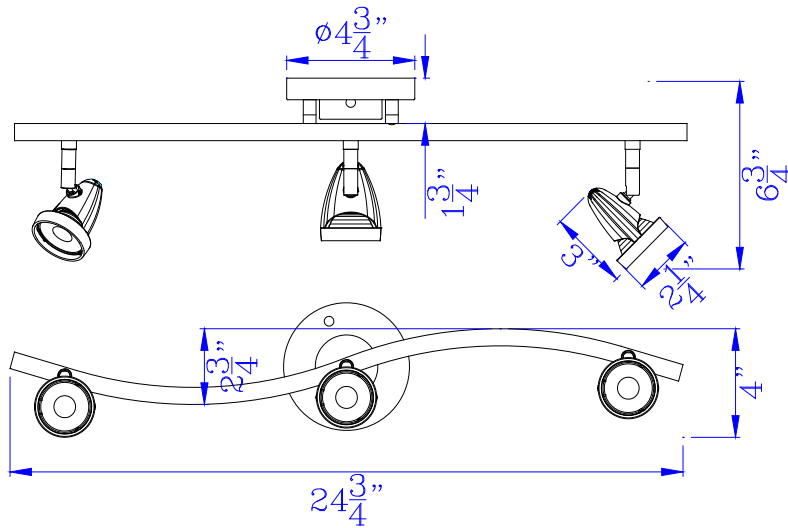
909.947.5673 • www.calighting.com • service@calighting.com •
Specifications subject to change without notice

Type: _____

Project: _____

Catalog No.: _____

Lamp/Wattage: _____



- Model No. :** SL-808-3-DB
- Description:** 6W x 3 Intergrated LED serpentine rail fixture. 1660 lumen, 3300K.
Fixture comes with a pair of 4" and 8" extension poles
- Finish :** Dark Bronze
- Rotation :** 180 degree
- Capability :** +90 degree from horizontal
- Height:** 18 3/4" Max
- Width:** 24 3/4"
- Reach:** 4"
- Voltage :** 120V
- Wattage :** 18W
- Dimming:** Dimmable
- CT"** 3300K
- Lumen :** 1660
- CRI :** 80
- FWHM :** 25 degree
- Rated Life :** 30,000 hours
- Warranty:** Three Years

Certificate :

