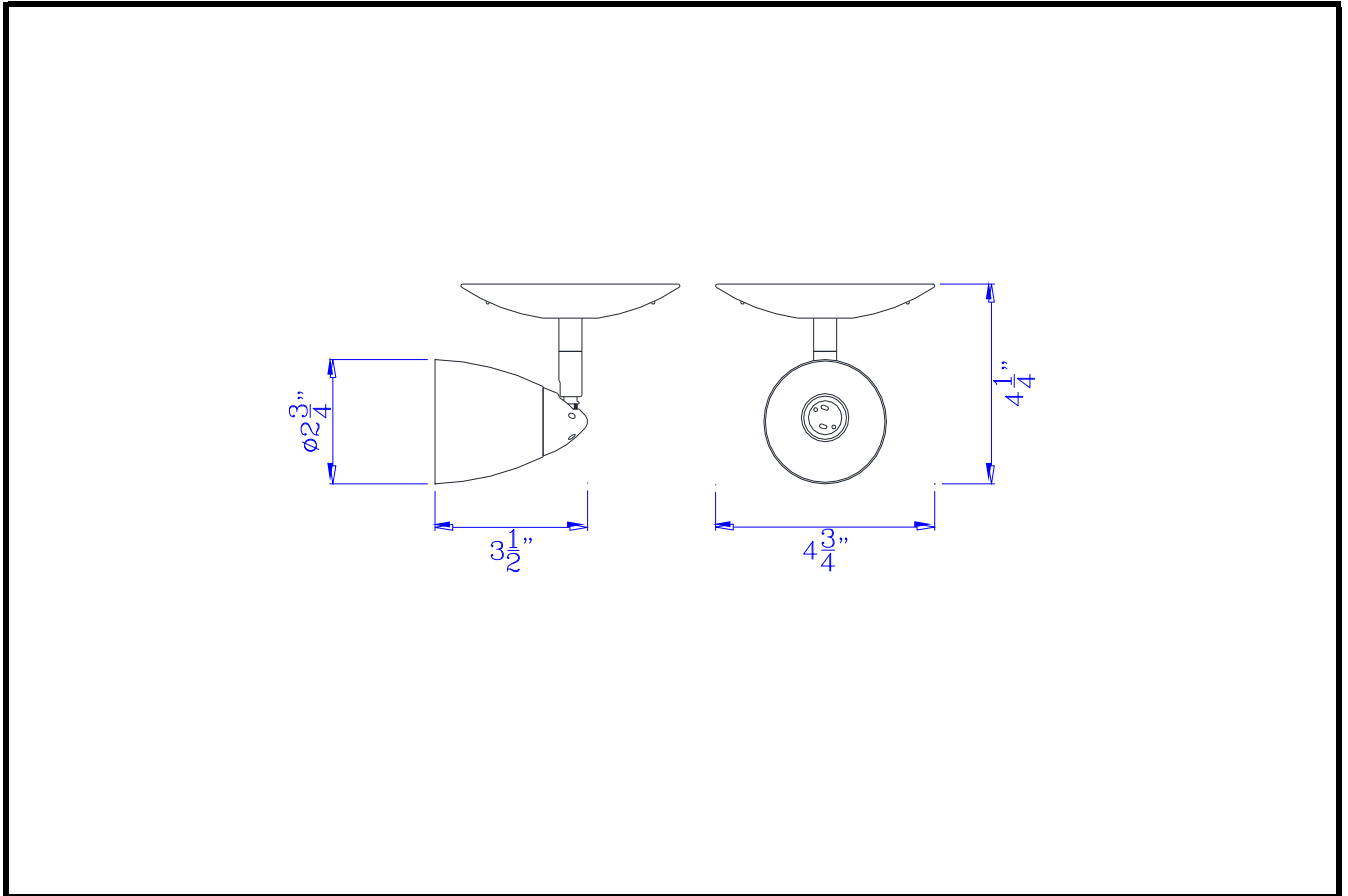




CAL LIGHTING

3625 E. Philadelphia St. Ontario CA. 91761 • Tel: 909.947.5200 • Fax:
909.947.5673 • www.calighting.com • service@calighting.com •
Specifications subject to change without notice

Type: _____
Project: _____
Catalog No.: _____
Lamp/Wattage: _____



Model No. : SL-954-1

Description: Orbit 1 Light

Material: Metal

Bulb : GU-10

Socket : GU-10

Voltage : 120V

Wattage : 50W Max.

Finish : BS (Brushed Steel)

Width: Dia. $4 \frac{3}{4}$ "

Shade : Glass

Mounting : Hardwire

Certificate : 