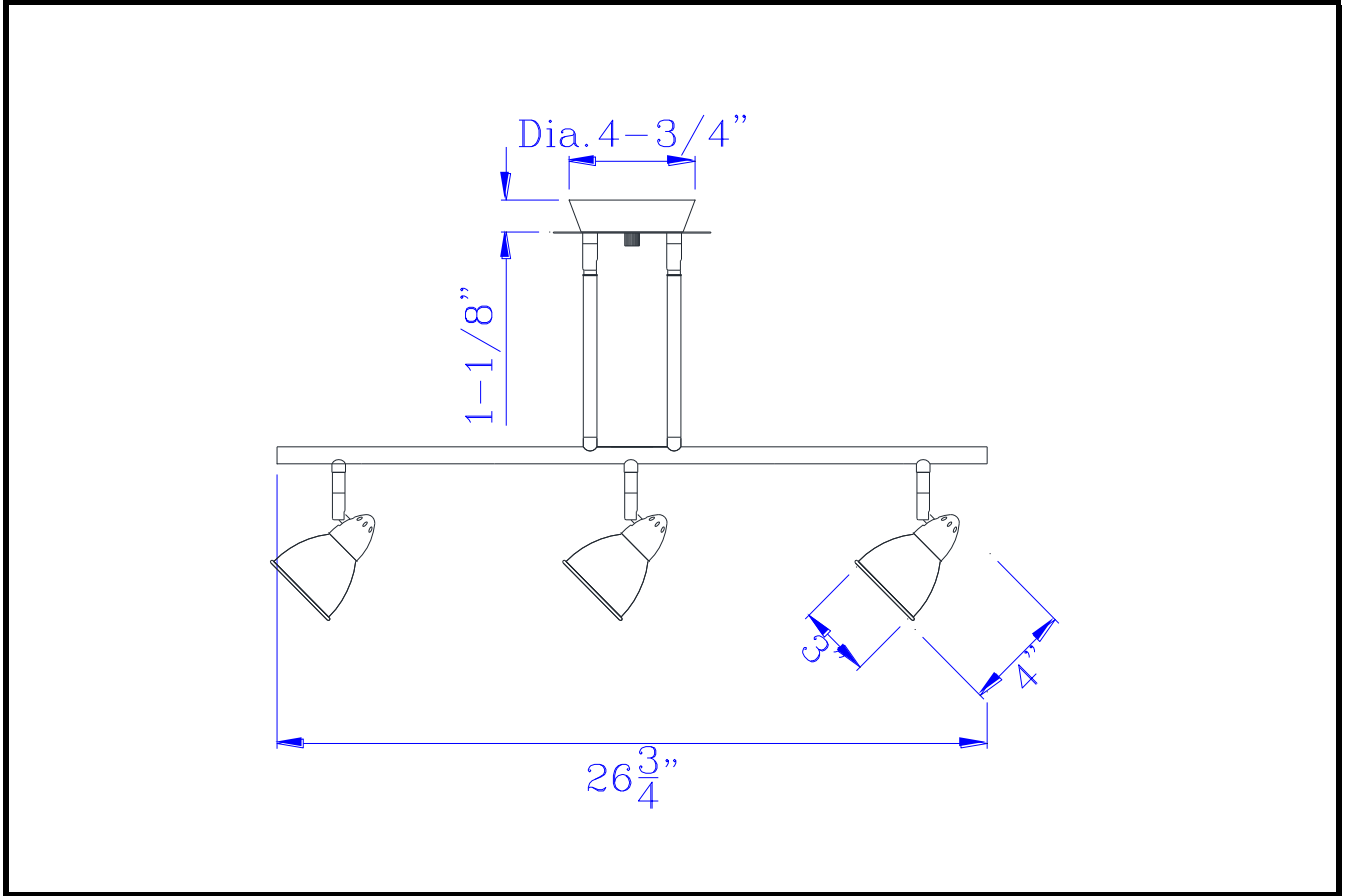




# CAL LIGHTING

3625 E. Philadelphia St. Ontario CA. 91761 • Tel: 909.947.5200 • Fax:  
909.947.5673 • www.calighting.com • service@calighting.com •  
Specifications subject to change without notice

Type: \_\_\_\_\_  
Project: \_\_\_\_\_  
Catalog No.: \_\_\_\_\_  
Lamp/Wattage: \_\_\_\_\_



**Model No. :** SL-954-3

**Description:** Serpentine 3 Lights, comes with a pair 4", 8" and universal joint (2")

**Material:** Metal

**Bulb :** GU-10

**Socket :** GU-10

**Voltage :** 120V

**Wattage :** 50W Max. (each head)

**Finish :** BK (Black)

**Width:** 26 3/4"

**Shade :** Metal

**Mounting :** Hardwire

**Certificate :** 