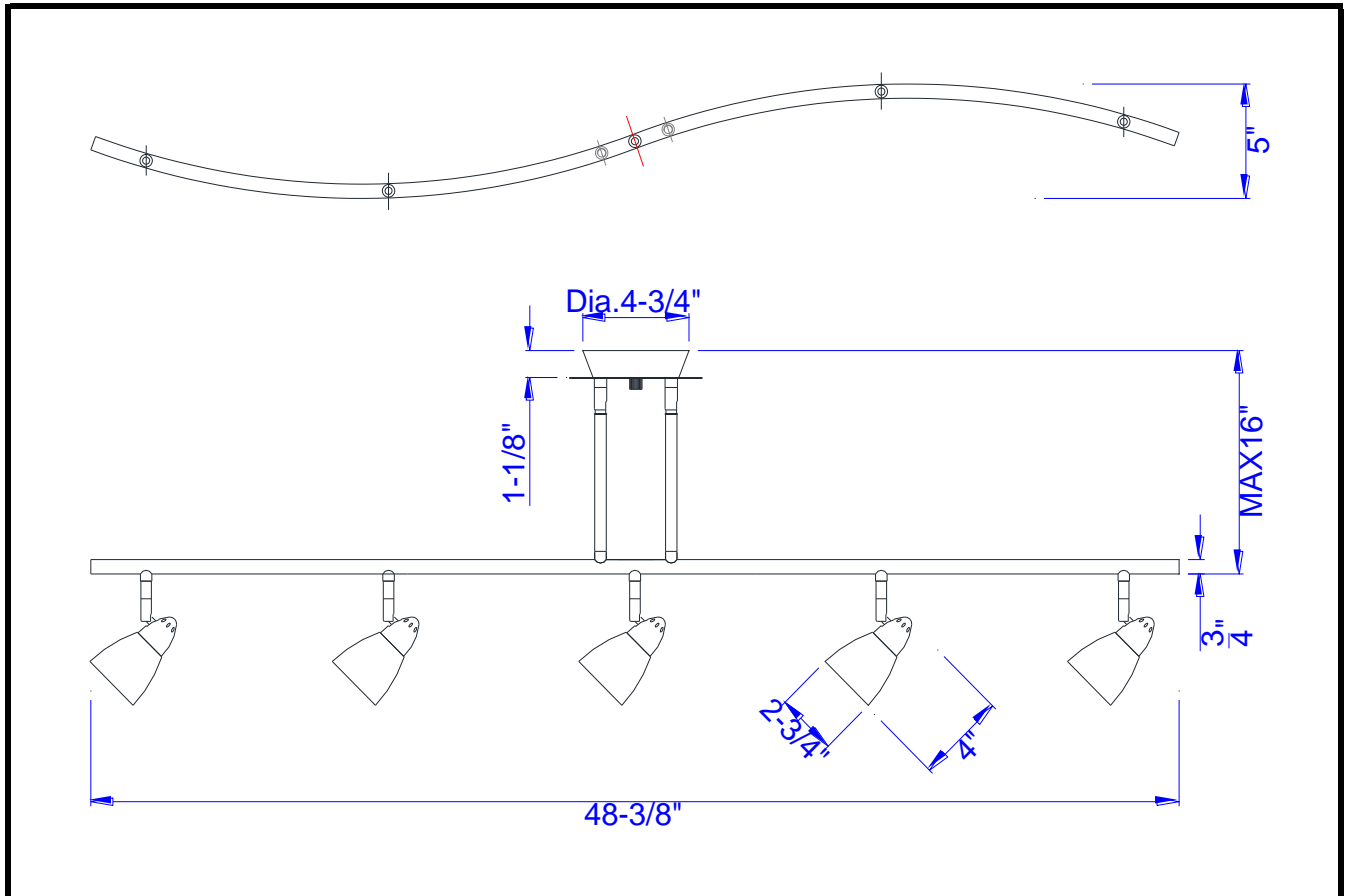




CAL LIGHTING

3625 E. Philadelphia St. Ontario CA. 91761 • Tel: 909.947.5200 • Fax: 909.947.5673 • www.calighting.com • service@calighting.com • Specifications subject to change without notice

Type: _____
Project: _____
Catalog No.: _____
Lamp/Wattage: _____



Model No. : SL-954-5

Description: Serpentine 5 Lights, comes with a pair 4", 8" and universal joint (2")

Material: Metal

Bulb : GU-10

Socket : GU-10

Voltage : 120V

Wattage : 50W Max. (each head)

Finish : WH (White)

Width: 48"

Shade : Glass

Mounting : Hardwire

Certificate : 