



CAL LIGHTING

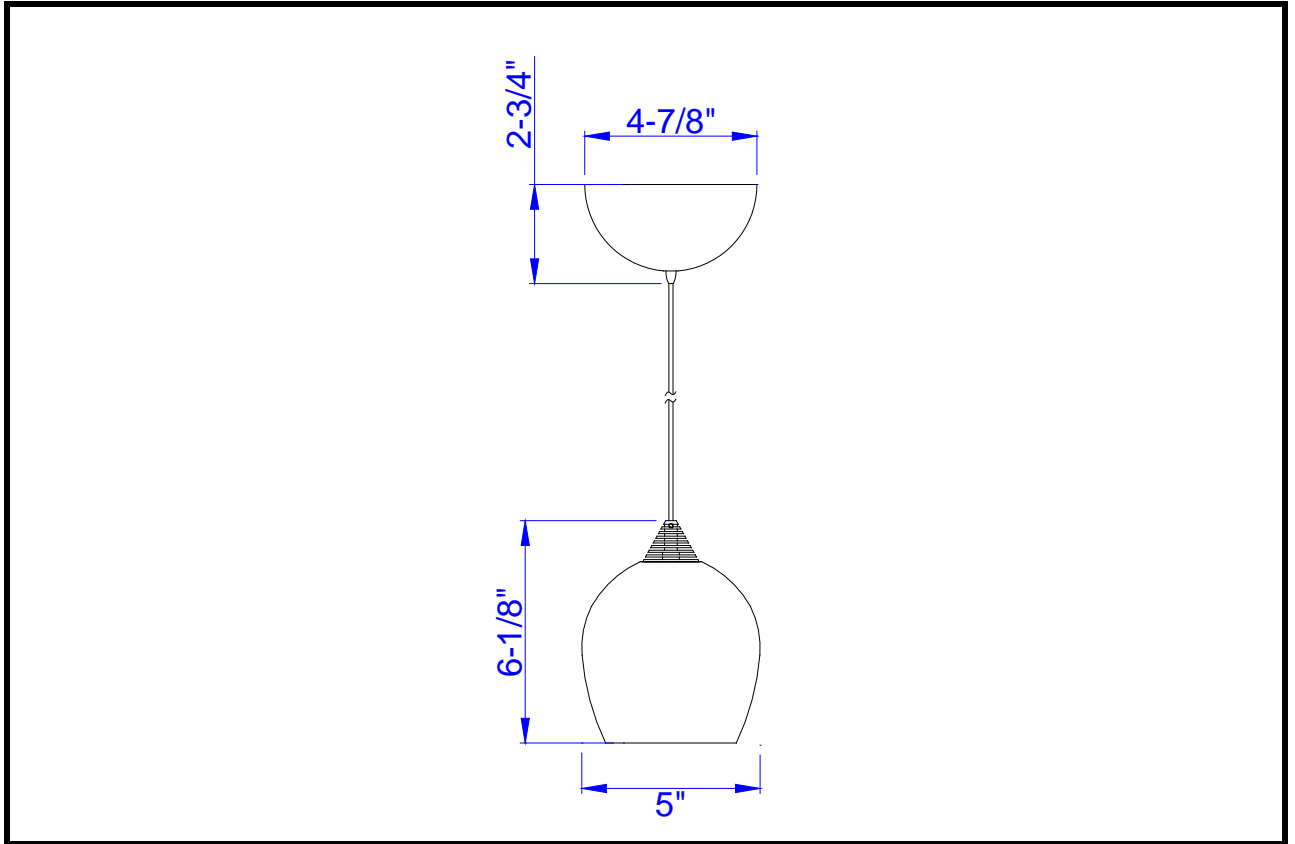
3625 E. Philadelphia St. Ontario CA. 91761 • Tel: 909.947.5200 • Fax:
909.947.5673 • www.calighting.com • service@calighting.com •
Specifications subject to change without notice

Type: _____

Project: _____

Catalog No.: _____

Lamp/Wattage: _____



- Model No. :** UPL-702
- Material :** Mouth blown glass
- Cord :** 6' (uncuttable)
- Cord Finish :** DB (Dark Bronze)
- Canopy :** Included (match cord color)
- Dimming:** Dimmable
- Wattage:** 5W
- Lumen:** 320
- Kelvin:** 2800K~3200K
- CRI:** 85
- Rated Life:** 30,000 Hours
- Warranty:** Three Years

Certificate : 