



CAL LIGHTING

3625 E. Philadelphia St. Ontario CA. 91761 • Tel: 909.947.5200 • Fax:
909.947.5673 • www.calighting.com • service@calighting.com •
Specifications subject to change without notice

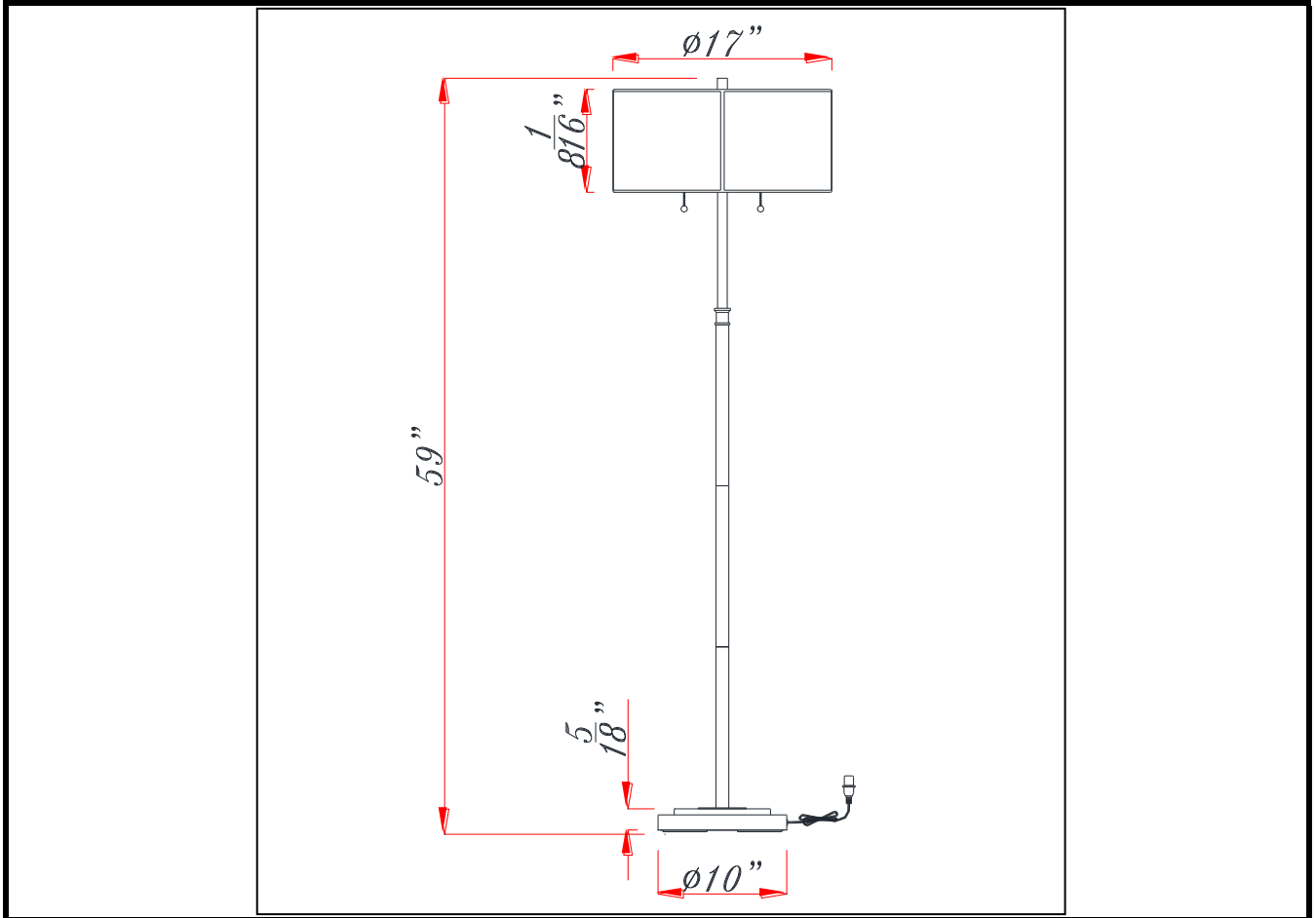
Type: _____

Project: _____

Catalog No.: _____

Lamp/Wattage: _____

Drawing:



- Model No:** BO-2615FL
- Description:** 60W x 2 metal mica floor lamp with pull chain switch
- Material:** MICA+Metal
- Finish :** Dark Bronze
- Height:** 59"
- Width:** 17"
- Wattage :** 60Wx2
- Socket :** Medium Base (E27)
- Bulb:** Incandescent
- Chain Length:**
- Wire Length:** 6'
- Wire Color:** black
- Shade No:**
- Material:** MICA
- Shade size:** 17"X17"X8"
- Certificate :** 