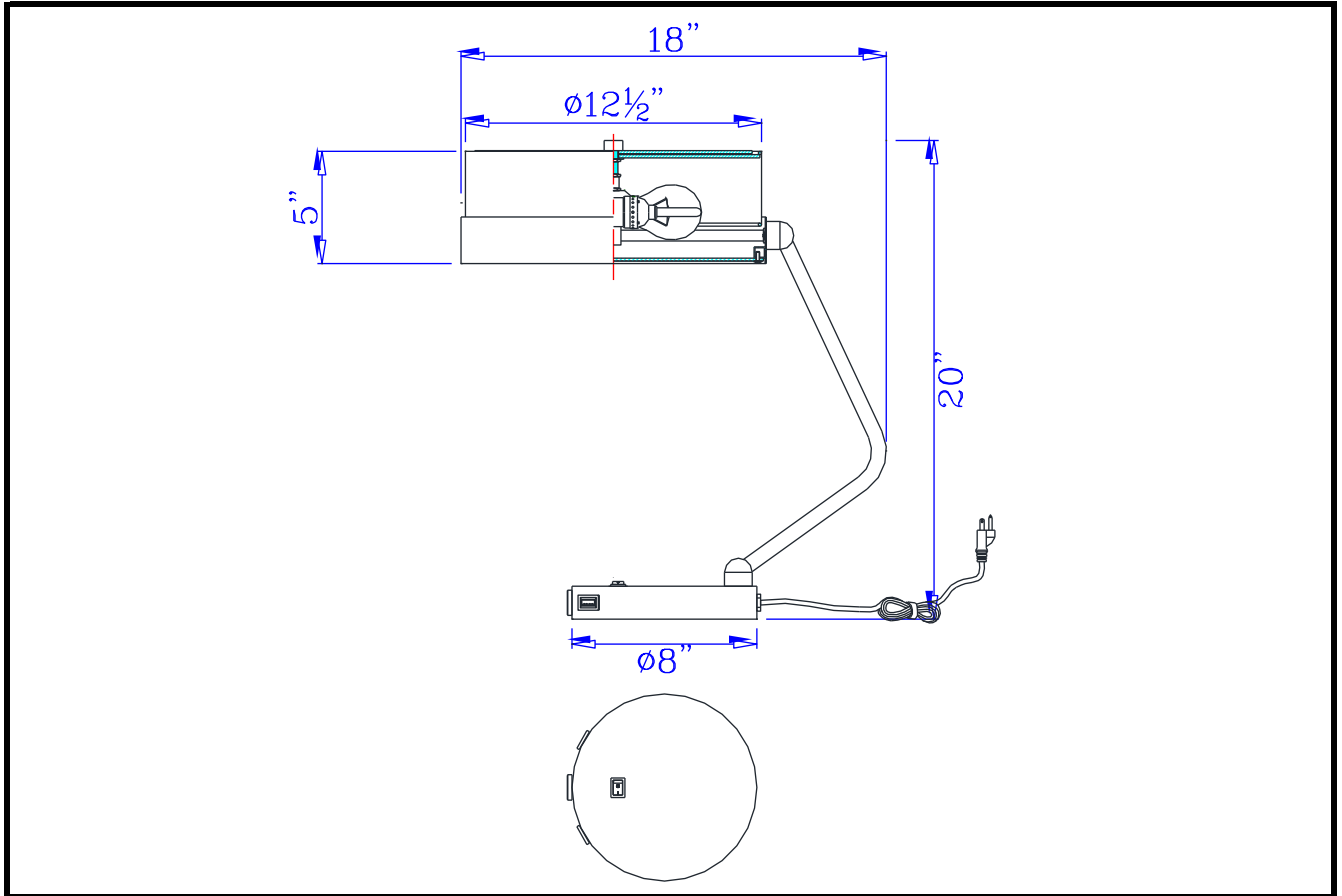




# CAL LIGHTING

3625 E. Philadelphia St. Ontario CA. 91761 • Tel: 909.947.5200 • Fax:  
909.947.5673 • www.calighting.com • service@calighting.com •  
Specifications subject to change without notice

Type: \_\_\_\_\_  
Project: \_\_\_\_\_  
Catalog No.: \_\_\_\_\_  
Lamp/Wattage: \_\_\_\_\_



- Model No:** BO-2758DK
- Description:** 60W x 2 Parson metal/wood desk lamp with metal/fabric shade w/ 2 USB ports
- Material:** Metal/Wood
- Finish :** Wood/Black
- Height:** 20"
- Reach/Depth:** 18"
- Base Width:** Dia.8"
- Wattage :** 60W x 2
- Socket :** Medium Base (E26)
- Switch:** ON/Off
- Bulb:** Incandescent, CFL
- Wire Length:** 6'
- Shade No:**
- Material:** Fabric
- Shade size:** 12 1/2" x 12 1/2" x 5"

**Certificate :** 