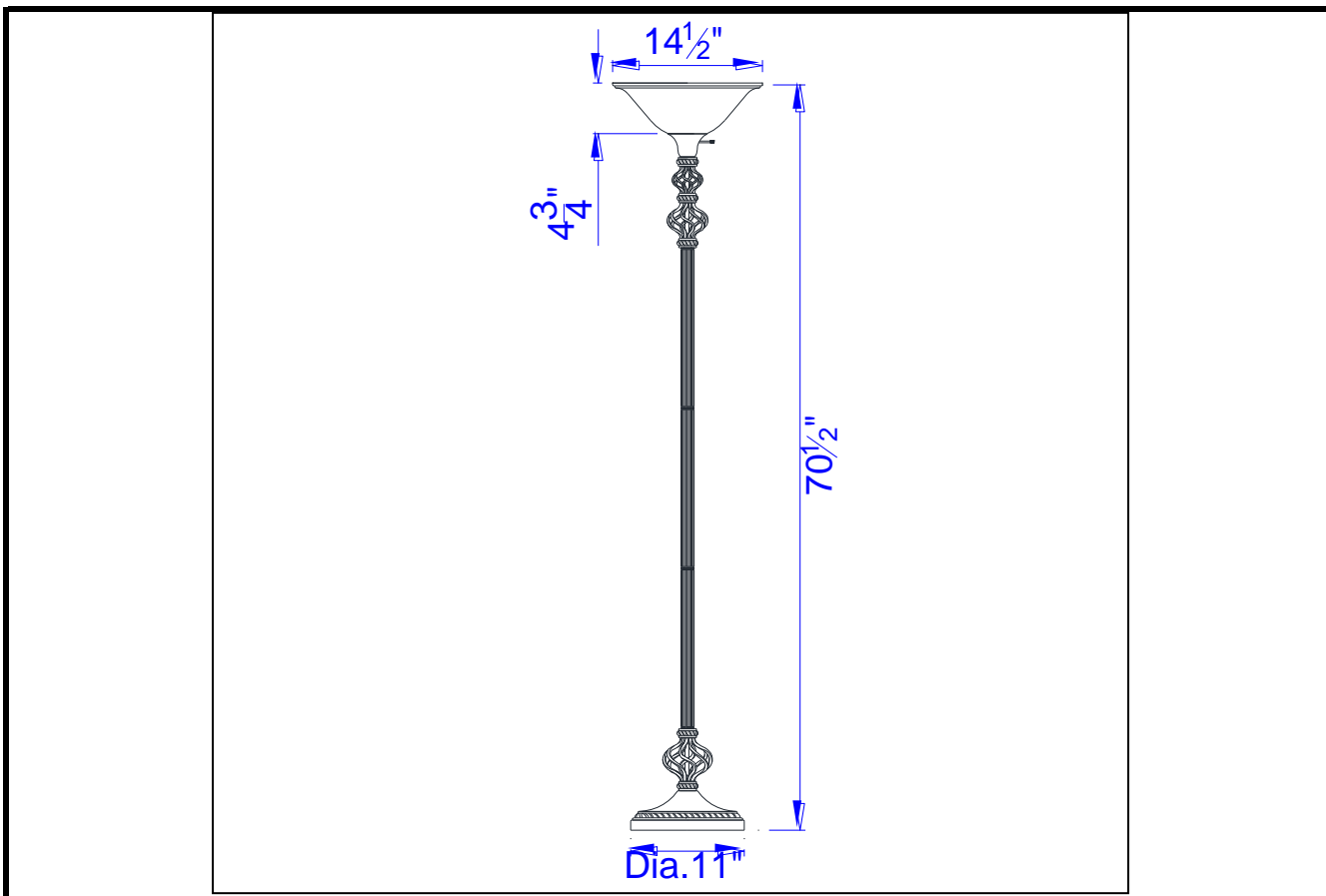




CAL LIGHTING

3625 E. Philadelphia St. Ontario CA. 91761 • Tel: 909.947.5200 • Fax:
909.947.5673 • www.calighting.com • service@calighting.com •
Specifications subject to change without notice

Type: _____
Project: _____
Catalog No.: _____
Lamp/Wattage: _____



- Model No:** BO-862
- Description:** Wrought Iron/Resin Torchiera
- Material:** Iron/Resin
- Finish :** Bronze/Gold
- Height:** 70 1/2"
- Base Width:** Dia. 11"
- Wattage :** 150W
- Socket :** Medium Base (E27)
- Switch:** 3-way
- Bulb:** Incandescent, CFL
- Wire Length:** 6'
- Wire Color:** Black
- Shade No:**
- Material:** Glass
- Shade size:** Dia. 14 1/2"
- Certificate :** 