

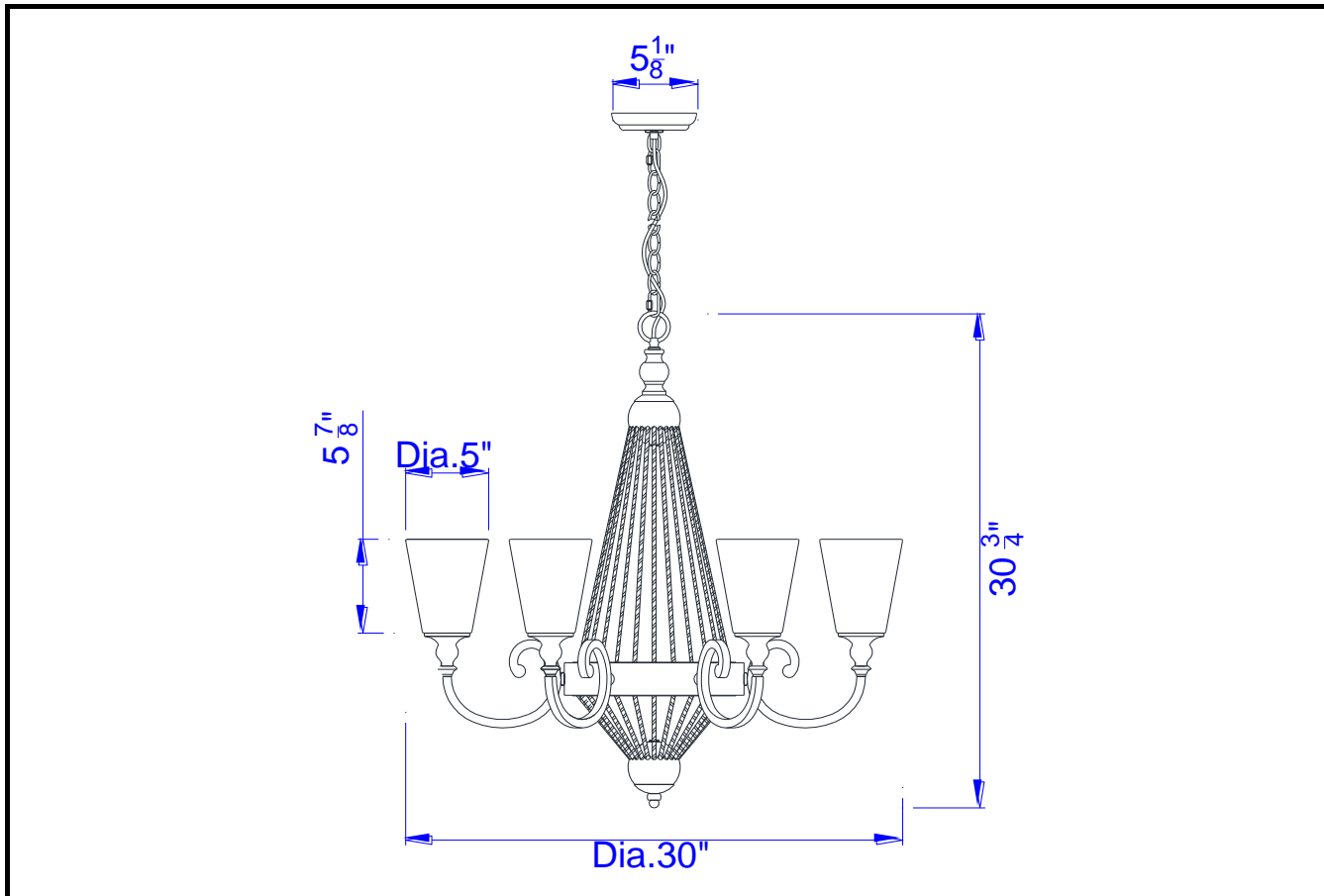


# CAL LIGHTING

3625 E. Philadelphia St. Ontario CA. 91761 • Tel: 909.947.5200 • Fax:  
909.947.5673 • www.calighting.com • service@calighting.com • Specifications  
subject to change without notice

Type: \_\_\_\_\_  
Project: \_\_\_\_\_  
Catalog No.: \_\_\_\_\_  
Lamp/Wattage: \_\_\_\_\_

## Drawing:



**Model No:** FX-3563/6  
**Description:** Monticello Resin/Metal Chandelier with Burlop Rope and Glass Shade  
**Material:** Metal/Glass/Rope  
**Finish :** Metal/Wood  
**Height:** 30 3/4"  
**Width:** 30"  
**Wattage :** 60W x 6  
**Socket :** Medium Base ( E26 )  
**Bulb:** Incandescent  
**Chain Length:** 6'  
**Wire Length:** 10'  
**Wire Color:** Black  
**Shade No:**  
**Material:** Glass  
**Shade size:** Dia 5"x 5 7/8"

**Certificate :**

