



CAL LIGHTING

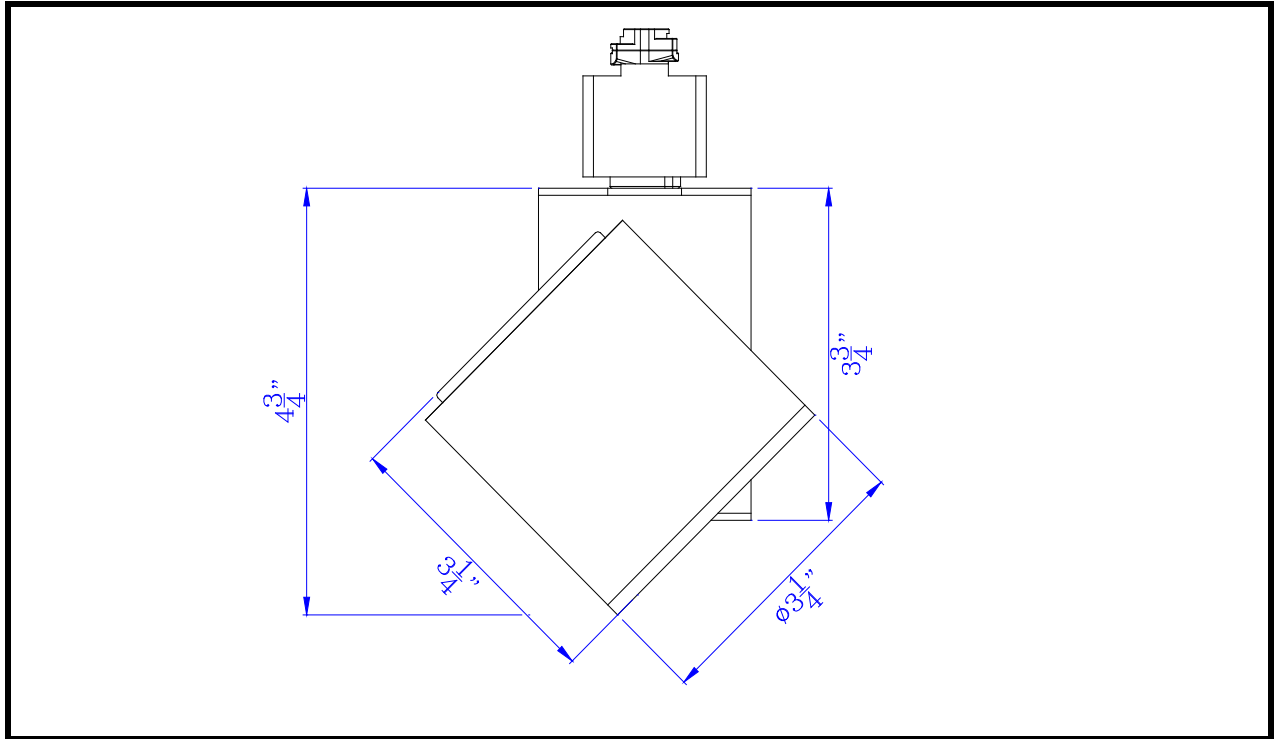
3625 E. Philadelphia St. Ontario CA. 91761 • Tel: 909.947.5200 • Fax:
909.947.5673 • www.calighting.com • service@calighting.com •
Specifications subject to change without notice

Type: _____

Project: _____

Catalog No.: _____

Lamp/Wattage: _____



- Model No. :** HT-690M
- Description:** Dimmable Integrated LED Track Fixture
- Material:** Metal
- Finish :** Black
- Rotation :** 355 degree
- Capability :** +90 degree from horizontal
- Voltage :** 120V
- Wattage :** 30W
- Dimming:** Dimmable,DVCL-153P/SCL-153P/AYCL-153P/CTCL-153P/DVCL-253P/
GT-150/GTJ-250M (ALL ARE LUTRON BRAND)
- Color Temp:** 3300K
- Lumen :** 2080
- CRI :** 90
- Beam:** 24
- Efficacy:** 70
- Rated Life :** 30,000 hours
- Warranty:** Three Years
- Certificate :**

