

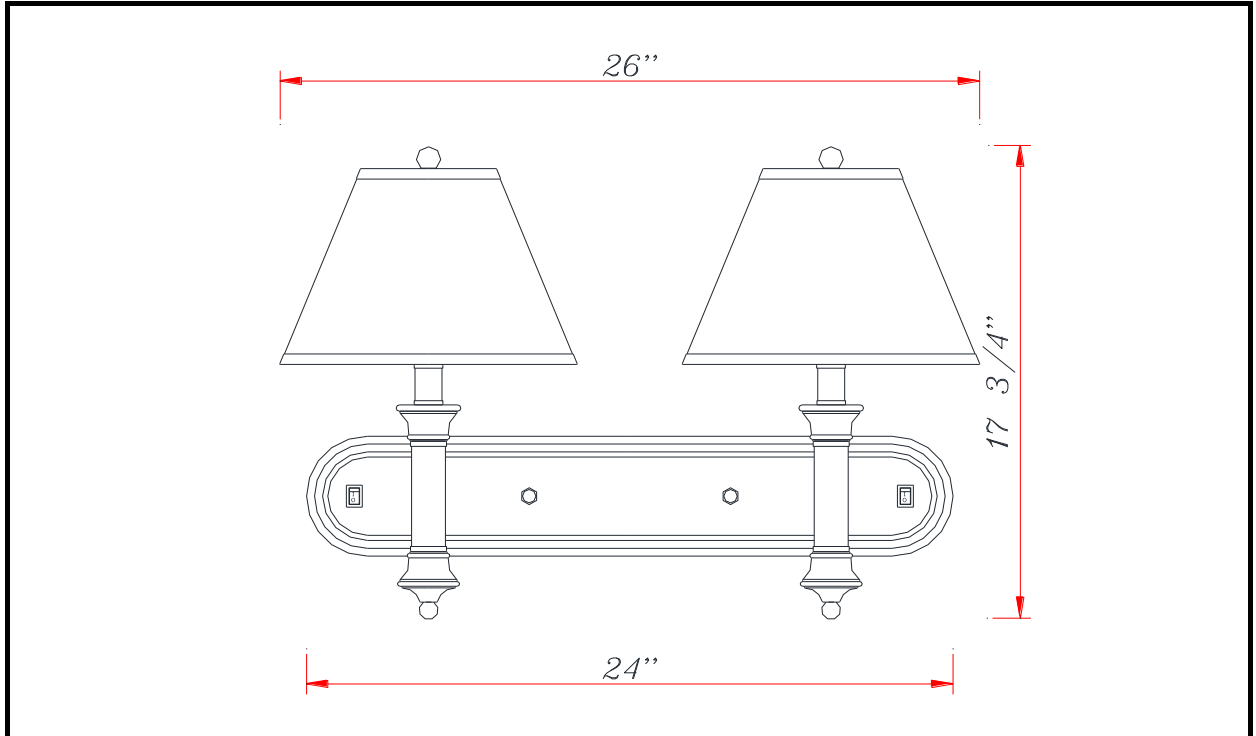


CAL LIGHTING

3625 E. Philadelphia St. Ontario CA. 91761 • Tel: 909.947.5200 • Fax:
909.947.5673 • www.calighting.com • service@calighting.com • Specifications
subject to change without notice

Type: _____
Project: _____
Catalog No.: _____
Lamp/Wattage: _____

Drawing:



Model No: LA-60007W2L-1R
Description: 60Wx2 Metal wall lamp with rocker plate switch
Material: Metal
Finish : Antique Bronze
Height: 17-3/4"
Base Width: 24"x 4 1/2"
Harp Size: 6.5"
Wattage : 60WX2
Socket : Medium Base (E26) X 2
Switch: Rocker plate switches
Bulb: Incandescent,CFL
Power Outlet: N/A
Ethernet Jack: None
Cord: SPT-2
Cord Length: None
Cord Color: BLACK
Shade No: SH-1142
Material: Fabric
Shade size: 5"X11"X8"

Certificate :

