

CRYST RAMA



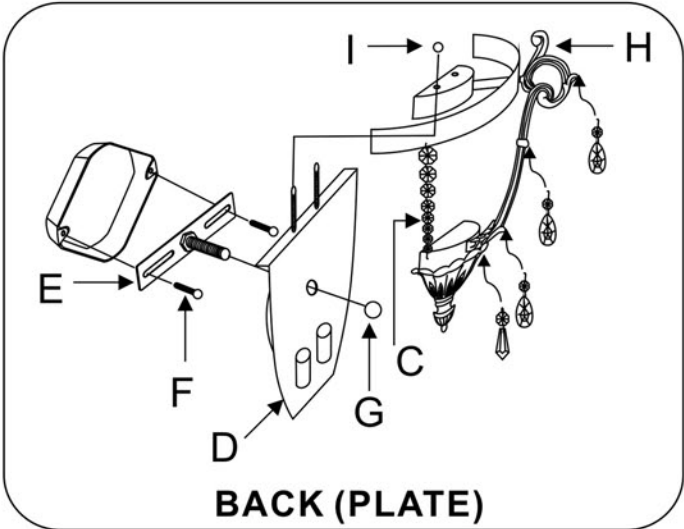
1958

95 Cantiague Rock Road, Westbury NY 11590
 ph:516.931.9090 fax: 516. 931.1254
 info@crystorama.com www.crystorama.com

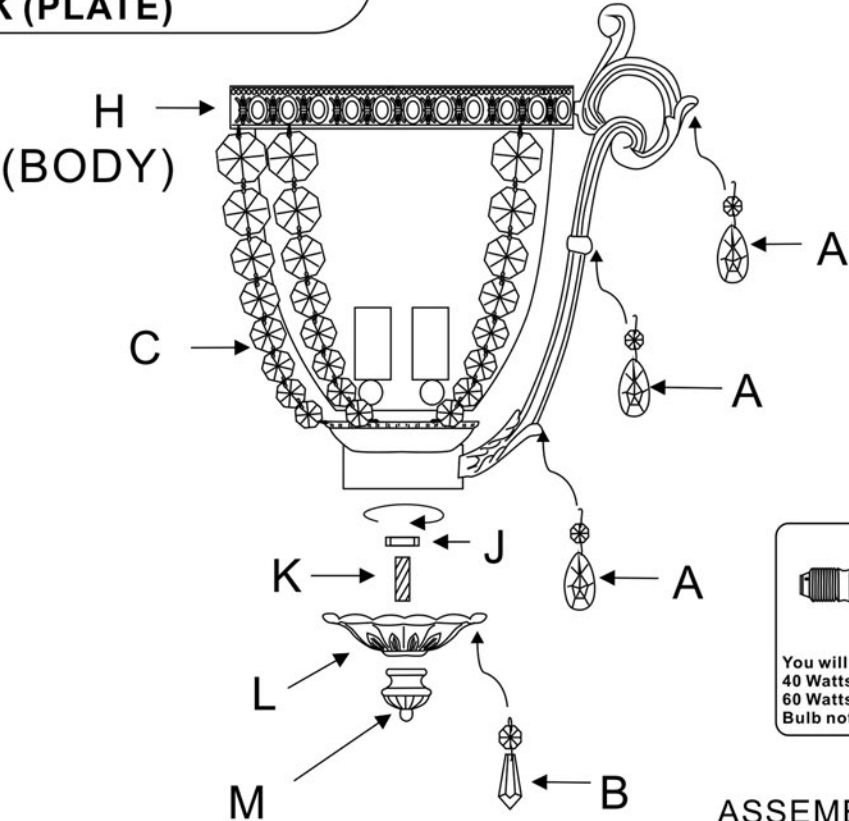
MODEL#:5180 ASSEMBLY AND DRESSING INSTRUCTIONS



All electrical components must be installed by a licensed electrician in accordance with the National Electric Code and the appropriate local electrical codes.



BACK (PLATE)



- A=  (14mm+50mm) * 9sets
- B=  (14mm+38mm) * 3sets
- C=  (14mm+16mm+18mm+20mm +22mm+24mm+26mm+28mm) * 12sets

ASSEMBLY STEPS:

- 1) F → E
- 2) E.G → D
- 3) H.I → D
- 4) A.B.C → H