

# CRYST RAMA



1958

95 Cantiague Rock Road, Westbury NY 11590

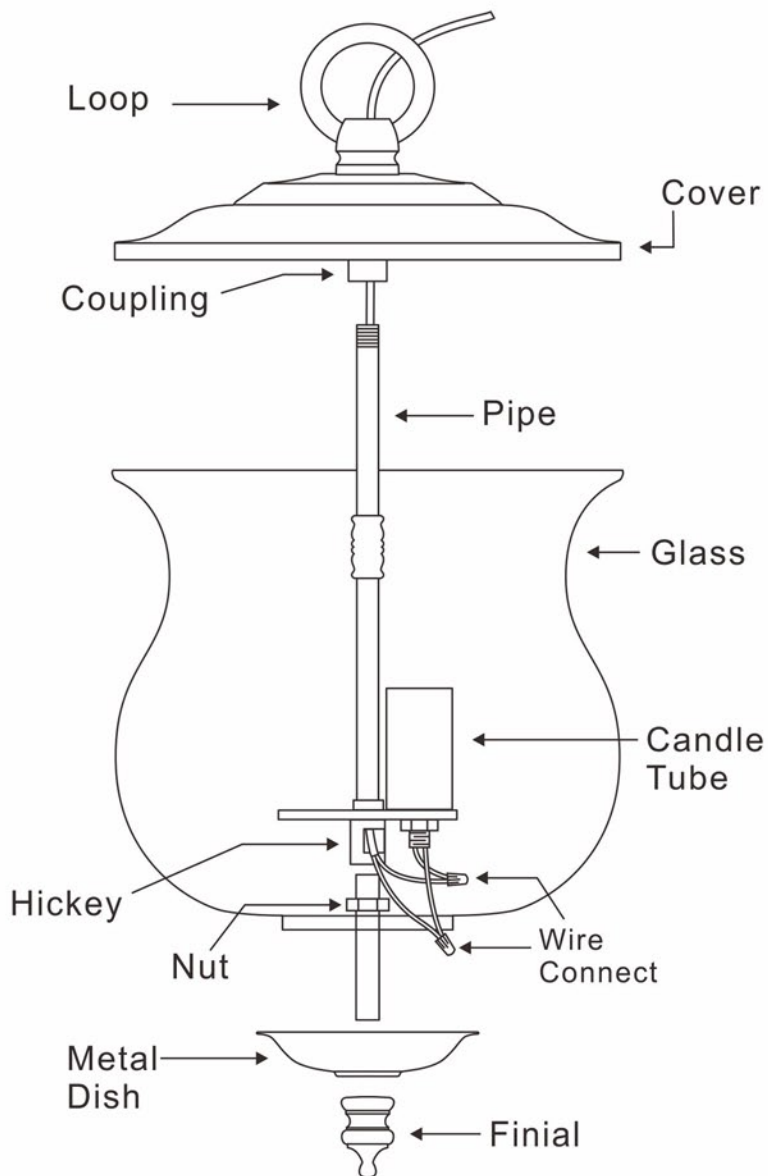
ph:516.931.9090 fax: 516. 931.1254

info@crystorama.com www.crystorama.com

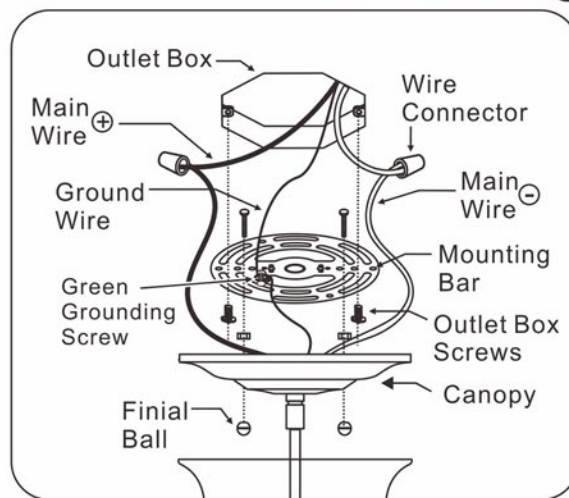
## MODEL#:5717 ASSEMBLY INSTRUCTIONS



All electrical components must be installed by a licensed electrician in accordance with the National Electric Code and the appropriate local electrical codes.



### For Ceiling



### For Hanging

