

CRYST RAMA

1958

95 Cantiague Rock Road, Westbury NY 11590
 ph:516.931.9090 fax:516.931.1254
 info@crystorama.com • www.crystorama.com


MODEL#:596-RS ASSEMBLY AND DRESSING INSTRUCTIONS

WARNING:

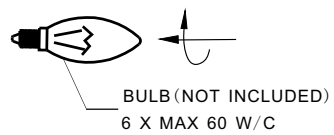
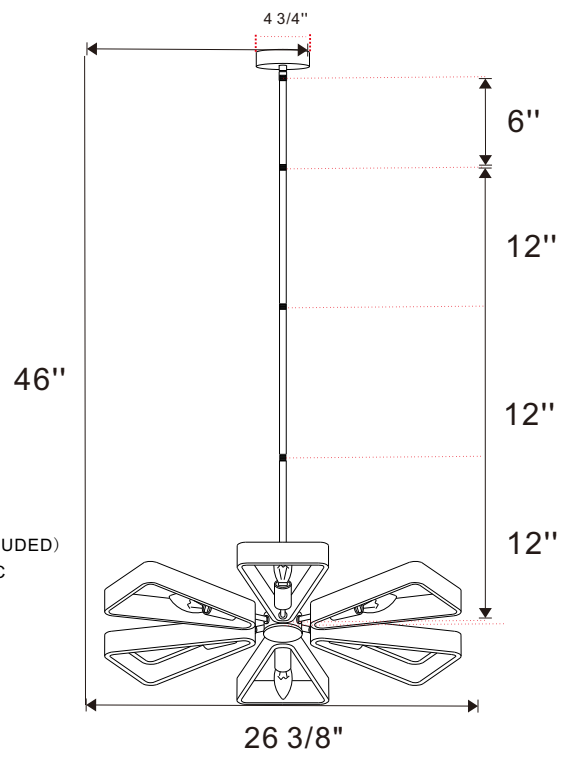
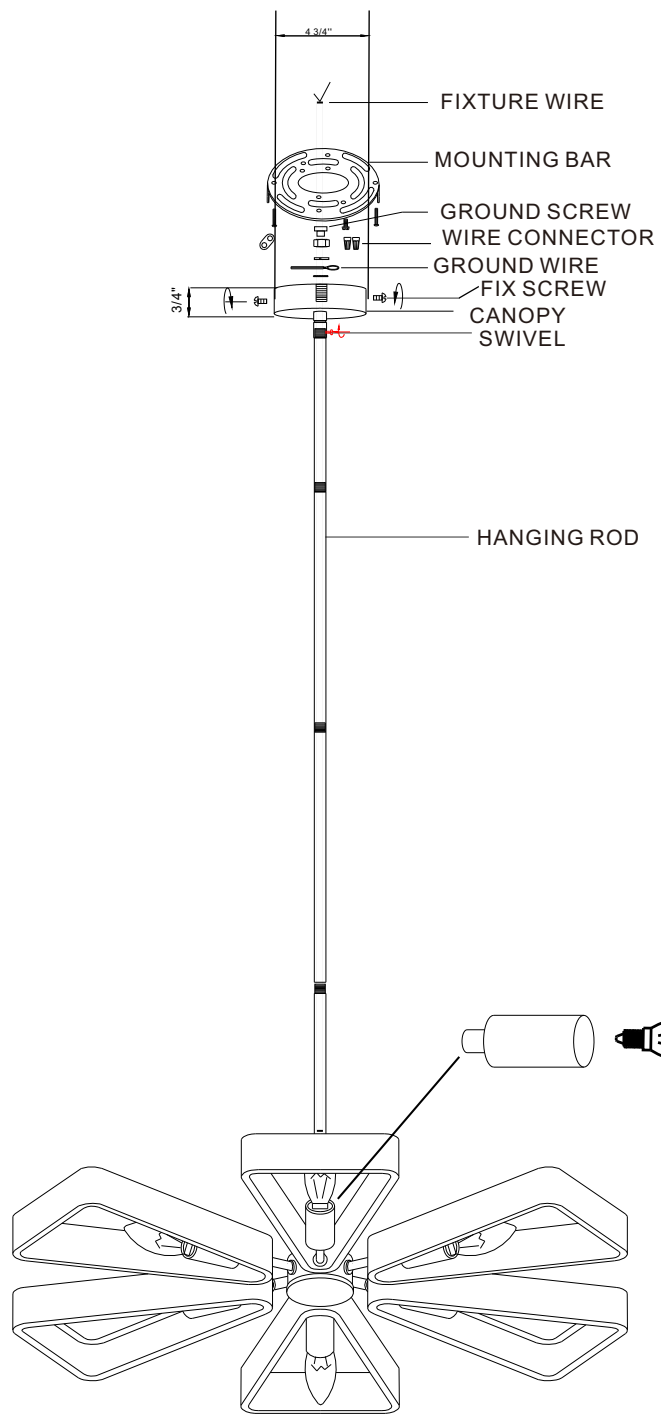


Electrical Danger Turn Power off

All electrical components must be installed by a licensed electrician in accordance with the National Electric Code and the appropriate local electrical codes.

You will need 6- Cand, Bulb
 40 Watts Recommended
 60 Watts Max
 Bulb not included.



2014/12